



# **HEAT ZONE**

**Distribution Pty Ltd**

*PRODUCT  
CATALOGUE*

*OCTOBER  
2023*

---

## Distribution

We distribute heating products throughout Victoria.

---

## Vision

Our vision is to provide high quality heating solutions by reducing our reliance on non-renewable energy sources.

---

## Mission

To provide the best level of customer service through strong customer relations, efficient processes, top quality products, custom engineering solutions, technical support and installation advice.

---

## Product & Service Portfolio

We provide DEVI floor heating products, the highest quality floor heating manufacturer. DEVI is the industry leader in the floor heating field with over 70 years of experience manufacturing high quality floor heating products.

DEVI products are incredibly reliable, with warranties of up to 20 years. If you want reliable and efficient heating, DEVI is the way to go.

Following the correct installation, you can expect a long life span of our product with minimal maintenance.

Our products can provide an alternative energy storage solution as well as being a hypoallergenic form of heating.

---

## Why Heat Zone?

Great customer service, custom engineered solutions, quality products and tech support.

The DEVI warranty can cover the replacement of the product, installation and the floor coverings of which it was installed under.

We have years of experience with our products and confidence in them.

---

## Engineering Solutions

We can provide CAD drawings, installation drawings, and as-built drawings for larger projects. Contact us for more details.

Delivery charges may apply. Prices are subject to change.

## Table of Contents

### Heat Zone Kits

DEVI 150T Kits	4
----------------	---

### Heating Cables

DEVIbasic 10S	5
DEVIbasic 20S	6
DEVIbasic Drum Goods	7
DEVISnow 30T	8
DEVIflex 10T Heating Cable	9
DEVIflex 18T Heating Cable	10
DEVIhotwatt drum goods	11
DEVImulti™ PVC & HDPE	12
DEVIpipeguard drum goods	13
DEVIpipeheat V2 drum goods	14
DEVliceeguard	15
DEVIconnecto	16
DEVIndustrial	17

### Heating Mats

DEVIheat 150S	18
DEVImat™ 100T (DTIF-100)	19
DEVImat™ 150T (DTIF-150)	20
DEVImat™ 200T (DTIF-200)	21

### Controls

DEVireg™ Touch	22
DEVireg™ Smart	23
DEVireg™ Opti	24
DEVireg™ 130, DEVireg™ 132	25
DEVireg™ 330	26
DEVireg™ 530, 531, 532	27
DEVireg™ Multi	28
DEVireg™ 850	30
DEVireg™ 610	32

### Other Heating Products

DEVIfoil Mirror	33
DEVICell	34
Marmax Boards	35
Miscellaneous Accessories	36

### Installation Materials

Miscellaneous Items	38
DEVI Warranty	39

## DEVI 150T Kits

Kits come with your choice thermostat, continuity tester, cold lead and installation guide. Our kits are recommended for DIY installs or renovating existing floors and installation on new surfaces.

## Features & Applications

- Under tile / in screed applications
- Self-adhesive mesh
- Low height - **only 3.5 mm**
- Only one cold lead
- Digital timer (2-5 period programming)
- Easy menu-driven programming and operation

## Touch Kit



## Smart Kit (Wifi)



Size	Polar White Code	Pure White Code	RRP Incl GST
150T Touch Kit 0.5 m <sup>2</sup>	150T05TOM	150T05TUM	\$660.00
150T Touch Kit 1 m <sup>2</sup>	150T10TOM	150T10TUM	\$700.00
150T Touch Kit 1.5 m <sup>2</sup>	150T15TOM	150T15TUM	\$740.00
150T Touch Kit 2 m <sup>2</sup>	150T20TOM	150T20TUM	\$790.00
150T Touch Kit 2.5 m <sup>2</sup>	150T25TOM	150T25TUM	\$835.00
150T Touch Kit 3 m <sup>2</sup>	150T30TOM	150T30TUM	\$880.00
150T Touch Kit 3.5 m <sup>2</sup>	150T35TOM	150T35TUM	\$925.00
150T Touch Kit 4 m <sup>2</sup>	150T40TOM	150T40TUM	\$970.00
150T Touch Kit 5 m <sup>2</sup>	150T50TOM	150T50TUM	\$1060.00
150T Touch Kit 6 m <sup>2</sup>	150T60TOM	150T60TUM	\$1150.00
150T Touch Kit 7 m <sup>2</sup>	150T70TOM	150T70TUM	\$1240.00
150T Touch Kit 8 m <sup>2</sup>	150T80TOM	150T80TUM	\$1330.00
150T Touch Kit 9 m <sup>2</sup>	150T90TOM	150T90TUM	\$1420.00
150T Touch Kit 10 m <sup>2</sup>	150T100TOM	150T100TUM	\$1510.00
150T Touch Kit 12 m <sup>2</sup>	150T120TOM	150T120TUM	\$1690.00

Size	Polar White Code	Pure White Code	RRP Incl GST
150T Smart Kit 0.5 m <sup>2</sup>	150T05SOM	150T05SUM	\$740.00
150T Smart Kit 1 m <sup>2</sup>	150T10SOM	150T10SUM	\$780.00
150T Smart Kit 1.5 m <sup>2</sup>	150T15SOM	150T15SUM	\$825.00
150T Smart Kit 2 m <sup>2</sup>	150T20SOM	150T20SUM	\$870.00
150T Smart Kit 2.5 m <sup>2</sup>	150T25SOM	150T25SUM	\$915.00
150T Smart Kit 3 m <sup>2</sup>	150T30SOM	150T30SUM	\$960.00
150T Smart Kit 3.5 m <sup>2</sup>	150T35SOM	150T35SUM	\$1000.00
150T Smart Kit 4 m <sup>2</sup>	150T40SOM	150T40SUM	\$1040.00
150T Smart Kit 5 m <sup>2</sup>	150T50SOM	150T50SUM	\$1125.00
150T Smart Kit 6 m <sup>2</sup>	150T60SOM	150T60SUM	\$1220.00
150T Smart Kit 7 m <sup>2</sup>	150T70SOM	150T70SUM	\$1310.00
150T Smart Kit 8 m <sup>2</sup>	150T80SOM	150T80SUM	\$1400.00
150T Smart Kit 9 m <sup>2</sup>	150T90SOM	150T90SUM	\$1490.00
150T Smart Kit 10 m <sup>2</sup>	150T100SOM	150T100SUM	\$1580.00
150T Smart Kit 12 m <sup>2</sup>	150T120SOM	150T120SUM	\$1770.00

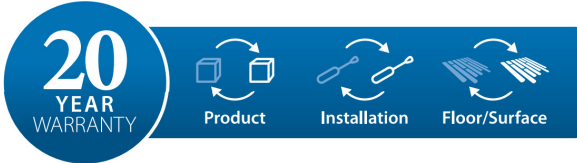
### Kit Inclusive of the following:

Self Adhesive Mat  
Continuity Tester (Alarm)  
Thermostat

Thermostat Surround plate  
Sensor Probe  
Sensor Conduit

Devireg Instruction Manual  
(inclusive of Warranty certificate)

NOTE: All kits are available in Pure White, Polar White and Pure Black. For pricing on Pure Black Kits, please contact our offices.



## Features & Applications

- In-screed under carpet
- Cold store applications
- Easy to install
- Multiple application options
- Safe & robust
- Long lifetime
- IEC60800:1992

## DEVbasic 10S

DEVbasic™ is a high-quality, braided screen, single conductor cable with a non UV stable outer sheath. Its round profile and robust construction ensures a fast, simple and safe installation in multiple indoor, outdoor and pipe tracing applications. We are proud to supply our full floor extended DEVWarranty™.

## Specifications

<b>Construction</b>	Round, single conductor with screen, 2 x cold lead
<b>Max. Permissible Use Temperature, Powered</b>	75 °C
<b>Max. Permissible Use Temperature, Unpowered</b>	90 °C
<b>Cable Dimensions</b>	Ø 5.5 mm
<b>Deformation Strength</b>	600 N
<b>Pulling Strength</b>	120 N
<b>Conductor Insulation</b>	XLPE
<b>Outer Sheath</b>	PVC
<b>Screen</b>	16 x 0.3 mm Cu (1 mm <sup>2</sup> )
<b>Cold Lead</b>	2 x 3 m DSWA, single conductor with screen
<b>Min. Installation Temperature</b>	-5 °C
<b>Bending Ø, min</b>	6 x cable diameter
<b>IP Class</b>	IPX7

Product Code	Length	Output @ 230V	Resistance (Ω)	Cold Lead	RRP (excl. GST)
84001500	21 m	202 W	261.9	1 x 1.5 mm <sup>2</sup>	\$178.00
84001505	26 m	268 W	197.4	1 x 1.5 mm <sup>2</sup>	\$215.00
84001510	30 m	299 W	176.9	1 x 1.5 mm <sup>2</sup>	\$222.00
84001515	37 m	376 W	140.7	1 x 1.5 mm <sup>2</sup>	\$254.00
84001520	46 m	446 W	118.6	1 x 1.5 mm <sup>2</sup>	\$282.00
84001525	50 m	501 W	105.6	1 x 1.5 mm <sup>2</sup>	\$314.00
84001530	58 m	570 W	92.8	1 x 1.5 mm <sup>2</sup>	\$343.00
84001535	66 m	668 W	79.2	1 x 1.5 mm <sup>2</sup>	\$381.00
84001540	77 m	763 W	69.3	1 x 1.5 mm <sup>2</sup>	\$409.00
84001545	90 m	904 W	58.5	1 x 1.5 mm <sup>2</sup>	\$434.00
84001550	103 m	1027 W	51.5	1 x 1.5 mm <sup>2</sup>	\$479.00
84001555	114 m	1133 W	46.7	1 x 1.5 mm <sup>2</sup>	\$530.00
84001560	125 m	1245 W	42.5	1 x 1.5 mm <sup>2</sup>	\$574.00
84001565	140 m	1400 W	37.8	1 x 1.5 mm <sup>2</sup>	\$596.00
84001570	159 m	1584 W	33.4	1 x 1.5 mm <sup>2</sup>	\$672.00
84001575	170 m	1707 W	31.0	1 x 1.5 mm <sup>2</sup>	\$698.00
84001580	188 m	1876 W	28.2	1 x 1.5 mm <sup>2</sup>	\$771.00
84001585	230 m	2300 W	23.0	1 x 2.5 mm <sup>2</sup>	\$940.00
84001590	275 m	2741 W	19.3	1 x 2.5 mm <sup>2</sup>	\$1,124.00
84001595	325 m	3245 W	16.3	1 x 4.0 mm <sup>2</sup>	\$1,324.00
84001600	407 m	4069 W	13.0	1 x 4.0 mm <sup>2</sup>	\$1,655.00

## DEVIbasic 20S

DEVIbasic™ is a high-quality, braided screen, single conductor cable with a non UV stable outer sheath. Its round profile and robust construction ensures a fast, simple and safe installation in multiple indoor, outdoor and pipe tracing applications. We are proud to supply our full floor extended DEVIwarranty™.



## Specifications

<b>Construction</b>	Round, single conductor with screen, 2 x cold lead
<b>Max. Permissible Use Temperature, Powered</b>	60 °C
<b>Max. Permissible Use Temperature, Unpowered</b>	90 °C
<b>Cable Dimensions</b>	Ø 5.5 mm
<b>Deformation Strength</b>	600 N
<b>Pulling Strength</b>	120 N
<b>Conductor Insulation</b>	XLPE
<b>Outer Sheath</b>	PVC
<b>Screen</b>	16 x 0.3 mm Cu (1 mm <sup>2</sup> )
<b>Cold Lead</b>	2 x 3 m DSWA, single conductor with screen
<b>Min. Installation Temperature</b>	-5 °C
<b>Bending Ø, min</b>	6 x cable diameter
<b>IP Class</b>	IPX7

## Features & Applications

- In-screed under carpet
- Cold store applications
- Easy to install
- Multiple application options
- Safe & robust
- Long lifetime
- IEC60800:1992

Product Code	Length	Output @ 230V	Resistance (Ω)	Cold Lead	RRP (excl. GST)
140F0260	9 m	170 W	347.3	1 x 1.5 mm <sup>2</sup>	\$167.00
140F0215	14 m	260 W	203.5	1 x 1.5 mm <sup>2</sup>	\$175.00
140F0216	18 m	375 W	141.1	1 x 1.5 mm <sup>2</sup>	\$192.00
140F0217	26 m	520 W	101.7	1 x 1.5 mm <sup>2</sup>	\$215.00
140F0218	32 m	640 W	82.7	1 x 1.5 mm <sup>2</sup>	\$222.00
140F0219	39 m	800 W	66.1	1 x 1.5 mm <sup>2</sup>	\$254.00
140F0220	53 m	1070 W	49.4	1 x 1.5 mm <sup>2</sup>	\$314.00
140F0221	63 m	1260 W	42.0	1 x 1.5 mm <sup>2</sup>	\$343.00
140F0222	74 m	1465 W	36.1	1 x 1.5 mm <sup>2</sup>	\$381.00
140F0223	91 m	1820 W	29.1	1 x 1.5 mm <sup>2</sup>	\$436.00
140F0224	110 m	2215 W	23.9	1 x 1.5 mm <sup>2</sup>	\$479.00
140F0225	131 m	2640 W	20.0	1 x 2.5 mm <sup>2</sup>	\$583.00
140F0226	159 m	3170 W	16.7	1 x 2.5 mm <sup>2</sup>	\$652.00
140F0227	192 m	3855 W	13.7	1 x 2.5 mm <sup>2</sup>	\$782.00
140F0228	228 m	4565 W	11.6	1 x 4.0 mm <sup>2</sup>	\$919.00



### Features & Applications

- Easy to install
- Multiple application options
- Safe & robust
- Long lifetime
- Heat Zone is able to manufacture cold tails for the cables. Please contact us for further details and rates
- IEC60800:1992

### DEVbasic Drum Goods

DEVbasic™ is an high-quality, braided screen, single conductor cable with a tough outer sheath (non UV stable). Its round profile and robust construction ensures a fast, simple and safe installation in multiple indoor, outdoor and pipe tracing applications.

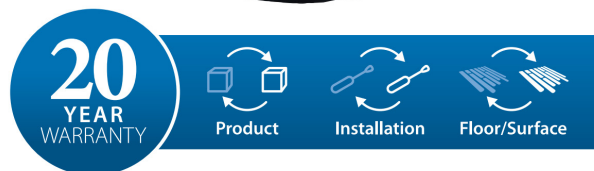
### Specifications

<b>Nominal voltage, max</b>	230 V~
<b>Construction</b>	Round, single conductor with screen, 2 cold lead
<b>Output, max</b>	10 W/m @ 230 V~ 60 °C @ 20 W/m
<b>Max. permissible use temperature, powered</b>	90 °C
<b>Max. permissible use temperature, unpowered</b>	90 °C
<b>Cable dimensions</b>	Ø 5.5 mm
<b>Deformation strength</b>	600 N
<b>Pulling strength</b>	120 N
<b>Conductor insulation</b>	XLPE
<b>Outer sheath</b>	PVC
<b>Screen</b>	16 x 0.3 mm Cu (1 mm <sup>2</sup> )
<b>Min. installation temperature</b>	-5 °C
<b>Bending Ø, min.</b>	6 x cable diameter
<b>IP Class</b>	IPX7

Product Code	Resistance (Ω)	Length	RRP (excl. GST)
140F0165	0.0134 Ohm/m	cut to length	\$5.02/m
140F0166	0.0322 Ohm/m	cut to length	\$5.02/m
140F0167	0.0508 Ohm/m	cut to length	\$5.02/m
140F0168	0.0715 Ohm/m	cut to length	\$5.02/m
140F0169	0.105 Ohm/m	cut to length	\$5.02/m
140F0170	0.153 Ohm/m	cut to length	\$5.02/m
140F0171	0.217 Ohm/m	cut to length	\$5.02/m
140F0172	0.267 Ohm/m	cut to length	\$5.02/m
140F0173	0.319 Ohm/m	cut to length	\$5.02/m
140F0174	0.488 Ohm/m	cut to length	\$5.02/m
140F0175	0.666 Ohm/m	cut to length	\$5.02/m
140F0176	0.934 Ohm/m	cut to length	\$5.02/m
140F0177	1.15 Ohm/m	cut to length	\$5.02/m
140F0178	1.70 Ohm/m	cut to length	\$5.02/m
140F0179	2.58 Ohm/m	cut to length	\$5.02/m
140F0180	3.90 Ohm/m	cut to length	\$5.02/m
140F0181	5.01 Ohm/m	cut to length	\$5.02/m
140F0182	7.82 Ohm/m	cut to length	\$5.02/m
140F0183	12.9 Ohm/m	cut to length	\$5.02/m
140F0184	34.1 Ohm/m	cut to length	\$5.02/m

## DEVIsnow 30T

DEVIsnow™ is an extremely high quality, 360° fully screened twin conductor cable with a tough black PVC outer sheath (UV stable) and cold lead. Its round profile and robust construction ensures a fast, simple and safe installation on roofs, in gutters, down drain pipes and on the ground.



## Specifications

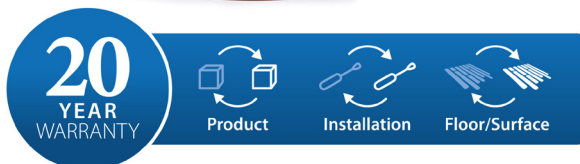
<b>Nominal voltage</b>	230 V~
<b>Construction</b>	Twin conductor with 360° screening, one cold lead
<b>Output</b>	30 W/m
<b>Max. permissible use temperature, powered</b>	60 °C
<b>Max. permissible use temperature, unpowered</b>	90 °C
<b>Cable diameter</b>	7 mm
<b>Deformation strength</b>	>1500 N
<b>Pulling strength</b>	>300 N
<b>Conductor insulation</b>	FEP
<b>Outer sheath</b>	UV protected PVC
<b>Screen</b>	0.5 mm <sup>2</sup> Cu, 100% Alu-foil
<b>Min. installation temperature</b>	-5 °C
<b>Bending Ø, min.</b>	6 x cable diameter
<b>IP Class</b>	IPX7

## Features & Applications

- In slab applications
- Fast and easy to install
- Multiple outdoor applications
- Safe & robust
- Long lifetime
- Maximum protection
- UV stable
- IEC60800:2009

Product Code	Output @ 230V	Resistance (Ω)	Length	Cold Lead	RRP (excl. GST)
89845995	150W	352.7	5 m	2.3 m, 2 x 1.5mm <sup>2</sup>	\$226.00
89846000	300W	176.3	10 m	2.3 m, 2 x 1.5mm <sup>2</sup>	\$254.00
89846002	400W	132.3	14 m	2.3 m, 2 x 1.5mm <sup>2</sup>	\$360.00
89846004	630W	84.0	20 m	2.3 m, 2 x 1.5mm <sup>2</sup>	\$409.00
89846006	830W	63.7	27 m	2.3 m, 2 x 1.5mm <sup>2</sup>	\$465.00
89846008	1020W	51.9	34 m	2.3 m, 2 x 1.5mm <sup>2</sup>	\$507.00
89846010	1250W	42.3	40 m	2.3 m, 2 x 1.5mm <sup>2</sup>	\$536.00
89846012	1350W	39.2	45 m	2.3 m, 2 x 1.5mm <sup>2</sup>	\$567.00
89846014	1440W	36.7	50 m	2.3 m, 2 x 1.5mm <sup>2</sup>	\$606.00
89846016	1700W	31.1	55 m	2.3 m, 2 x 1.5mm <sup>2</sup>	\$634.00
89846018	1860W	28.4	63 m	2.3 m, 2 x 1.5mm <sup>2</sup>	\$698.00
89846020	2060W	25.7	70 m	2.3 m, 2 x 1.5mm <sup>2</sup>	\$709.00
89846022	2340W	22.3	78 m	2.3 m, 2 x 1.5mm <sup>2</sup>	\$789.00
89846024	2420W	21.9	85 m	2.3 m, 2 x 1.5mm <sup>2</sup>	\$852.00
89846026	2930W	18.1	95 m	2.3 m, 2 x 1.5mm <sup>2</sup>	\$916.00
89846028	3290W	16.1	110 m	2.3 m, 2 x 2.5mm <sup>2</sup>	\$1,085.00
89846030	3680W	14.4	125 m	2.3 m, 2 x 2.5mm <sup>2</sup>	\$1,113.00
89846032	4110W	12.9	140 m	2.3 m, 2 x 2.5mm <sup>2</sup>	\$1,127.00





## DEViflex 10T Heating Cable

DEViflex™ is an extremely high quality, 360° fully screened twin conductor cable with a tough outer sheath (non UV stable). Its round profile and robust construction ensures a fast, simple and safe installation in multiple indoor floor constructions and pipe tracing applications.

## Specifications

<b>Nominal voltage</b>	230 V~
<b>Construction</b>	Round, twin conductor with 360° screen, one cold lead
<b>Output</b>	10 W/m @ 230 V~
<b>Max. permissible use temperature, powered</b>	75 °C
<b>Max. permissible use temperature, unpowered</b>	90 °C
<b>Cable dimensions</b>	Ø 6.9 mm
<b>Deformation strength</b>	>1500 N
<b>Pulling strength</b>	>500 N
<b>Conductor insulation</b>	XLPE
<b>Outer sheath</b>	PVC, red
<b>Screen</b>	100% coverage; alu-foil; 0.5 mm <sup>2</sup> tinned copper drain wire
<b>Min. installation temperature</b>	-5 °C
<b>Bending Ø, min.</b>	6 x cable diameter

## Features & Applications

- Suitable for in-screed under carpet, cold store
- Fast and easy to install
- Multiple application options
- Safe and robust
- Long lifetime
- Maximum protection
- IEC60800:2009

Product Code	Cable Length	Output @ 230V	Resistance (Ω)	Cold Lead	RRP (excl. GST)
140F1215	2 m	20 W	2646.0	3 x 1.5mm <sup>2</sup>	\$144.00
140F1216	4 m	40 W	1324.0	3 x 1.5mm <sup>2</sup>	\$161.00
140F1217	6 m	60 W	882.0	3 x 1.5mm <sup>2</sup>	\$187.00
140F1218	8 m	80 W	660.8	3 x 1.5mm <sup>2</sup>	\$249.00
140F1219	10 m	100 W	529.0	3 x 1.5mm <sup>2</sup>	\$235.00
140F1407	15 m	135 W	403.5	3 x 1.5mm <sup>2</sup>	\$251.00
140F1220	20 m	205 W	260.0	3 x 1.5mm <sup>2</sup>	\$297.00
140F1408	25 m	240 W	219.5	3 x 1.5mm <sup>2</sup>	\$313.00
140F1221	30 m	290 W	183.0	3 x 1.5mm <sup>2</sup>	\$319.00
140F1409	35 m	365 W	145.0	3 x 1.5mm <sup>2</sup>	\$329.00
140F1222	40 m	390 W	136.0	3 x 1.5mm <sup>2</sup>	\$332.00
140F1223	50 m	505 W	105.0	3 x 1.5mm <sup>2</sup>	\$390.00
140F1224	60 m	600 W	88.2	3 x 1.5mm <sup>2</sup>	\$458.00
140F1225	70 m	695 W	76.3	3 x 1.5mm <sup>2</sup>	\$507.00
140F1226	80 m	790 W	66.9	3 x 1.5mm <sup>2</sup>	\$573.00
140F1227	90 m	920 W	57.4	3 x 1.5mm <sup>2</sup>	\$570.00
140F1228	100 m	990 W	53.4	3 x 1.5mm <sup>2</sup>	\$597.00
140F1229	120 m	1220 W	43.4	3 x 1.5mm <sup>2</sup>	\$700.00
140F1230	140 m	1410 W	37.5	3 x 1.5mm <sup>2</sup>	\$793.00
140F1231	160 m	1575 W	33.6	3 x 1.5mm <sup>2</sup>	\$865.00
140F1232	180 m	1760 W	30.1	3 x 2.5mm <sup>2</sup>	\$947.00
140F1233	200 m	1990 W	26.6	3 x 2.5mm <sup>2</sup>	\$1,052.00
140F1234	210 m	2050 W	25.8	3 x 2.5mm <sup>2</sup>	\$1,105.00

## DEViflex 18T Heating Cable

DEViflex™ is an extremely high-quality, 360° fully screened twin conductor cable with a tough outer sheath (non UV stable). Its round profile and robust construction ensures a fast, simple and safe installation in multiple indoor floor constructions and pipe tracing applications.



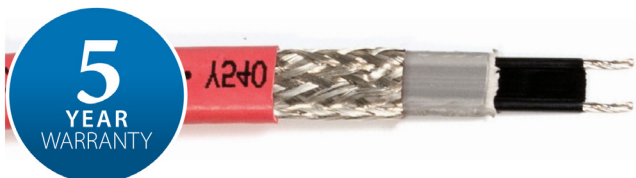
## Specifications

<b>Nominal voltage</b>	230 V~
<b>Construction</b>	Round, twin conductor with 360° screen, one cold lead
<b>Output</b>	18 W/m @ 230 V~
<b>Max. permissible use temperature, powered</b>	60 °C
<b>Max. permissible use temperature, unpowered</b>	90 °C
<b>Cable dimensions</b>	Ø 6.9 mm
<b>Deformation strength</b>	>1500 N
<b>Pulling strength</b>	>500 N
<b>Conductor insulation</b>	XLPE
<b>Outer sheath</b>	PVC, red
<b>Screen</b>	100% coverage; alu-foil; 0.5 mm <sup>2</sup> tinned copper drain wire
<b>Min. installation temperature</b>	-5 °C
<b>Bending Ø, min.</b>	6 x cable diameter
<b>IP Class</b>	IPX7

## Features & Applications

- Suitable for in-screed under carpet, cold store
- Fast and easy to install
- Multiple application options
- Safe and robust
- Long lifetime
- Maximum protection
- IEC60800:2009

Product Code	Cable Length	Output @ 230V	Resistance (Ω)	Cold Lead	RRP (excl. GST)
140F1235	7.3 m	130 W	410.3	3 x 1.5mm <sup>2</sup>	\$198.00
140F1236	10 m	180 W	294.0	3 x 1.5mm <sup>2</sup>	\$205.00
140F1400	12.8 m	230 W	230.4	3 x 1.5mm <sup>2</sup>	\$212.00
140F1237	15 m	270 W	195.0	3 x 1.5mm <sup>2</sup>	\$219.00
140F1401	17.5 m	310 W	171.2	3 x 1.5mm <sup>2</sup>	\$226.00
140F1238	22 m	395 W	134.2	3 x 1.5mm <sup>2</sup>	\$240.00
140F1239	29 m	535 W	98.6	3 x 1.5mm <sup>2</sup>	\$268.00
140F1240	34 m	615 W	86.4	3 x 1.5mm <sup>2</sup>	\$278.00
140F1241	37 m	680 W	77.7	3 x 1.5mm <sup>2</sup>	\$286.00
140F1242	44 m	820 W	64.7	3 x 1.5mm <sup>2</sup>	\$317.00
140F1243	52 m	935 W	56.7	3 x 1.5mm <sup>2</sup>	\$353.00
140F1410	54 m	1005 W	52.7	3 x 1.5mm <sup>2</sup>	\$367.00
140F1244	59 m	1075 W	49.3	3 x 1.5mm <sup>2</sup>	\$392.00
140F1245	68 m	1220 W	43.4	3 x 1.5mm <sup>2</sup>	\$429.00
140F1246	74 m	1340 W	39.5	3 x 1.5mm <sup>2</sup>	\$461.00
140F1247	82 m	1485 W	35.6	3 x 1.5mm <sup>2</sup>	\$476.00
140F1248	90 m	1625 W	32.6	3 x 1.5mm <sup>2</sup>	\$496.00
140F1249	105 m	1880 W	28.1	3 x 2.5mm <sup>2</sup>	\$545.00
140F1250	118 m	2135 W	24.8	3 x 2.5mm <sup>2</sup>	\$599.00
140F1251	131 m	2420 W	21.9	3 x 2.5mm <sup>2</sup>	\$645.00
140F1252	155 m	2775 W	19.1	3 x 2.5mm <sup>2</sup>	\$728.00
140F1402	170 m	3050 W	17.3	3 x 2.5mm <sup>2</sup>	\$778.00



### DEVlhotwatt drum goods

DEVlhotwatt™ is a self-limiting heating cable that is used for temperature maintenance of hot water supply and other fluids that need to maintain a certain temperature. The self-limiting capability of the cable ensures that the output of the cable increase or decrease according to ambient temperature. DEVlhotwatt™ ensures hot water in all taps and savings when circulation of the whole pipe system is unnecessary. The cable is not approved for use in drinking water.

### Features & Applications

- Cut to length on site
- Black version is UV protected
- PVC free
- DIN VDE 0254: 1994-06

### Specifications

<b>Nominal voltage</b>	230 V AC
<b>Nominal output (min-max) :</b>	7 W/m @ 45 °C (6.5-9.5 W/m @ 45 °C)
<b>DEVlhotwatt™ 45</b>	9 W/m @ 55 °C (8.5-13.0 W/m @ 55 °C)
<b>DEVlhotwatt™ 55</b>	12 W/m @ 70 °C (11.3-15.2 W/m @ 70 °C)
<b>DEVlhotwatt™ 70</b>	
<b>Outer sheath:</b>	
<b>DEVlhotwatt™ 45</b>	Black, TPE
<b>DEVlhotwatt™ 55</b>	Green, TPE
<b>DEVlhotwatt™ 70</b>	Red, TPE
<b>Maximum permissible use temperature</b>	80 °C, powered 100 °C, unpowered
<b>Minimum installation temperature</b>	-5 °C
<b>Cable dimensions</b>	11.8 mm × 5.8 mm
<b>Minimum braid coverage</b>	70%
<b>Maximum resistance protective braid</b>	18.2 Ω/Km
<b>Bending Ø, min.</b>	50 mm (Ø to the inside of the tape)
<b>Max. installation length - with 10 A circuit breaker</b>	55 m
<b>IP Class</b>	IPX7

Product Code	Type	Length	RRP (excl. GST)
98300955	DEVlhotwatt 45 Black	cut to length	\$35.50/m
98300957	DEVlhotwatt 55	cut to length	\$35.50/m
140F1145	DEVlhotwatt 55	9 m	\$291.00
140F1150	DEVlhotwatt 55	15 m	\$769.00
140F1146	DEVlhotwatt 55	25 m	\$953.00
140F1147	DEVlhotwatt 55	30 m	\$1,729.00
140F1151	DEVlhotwatt 55	50 m	\$2,198.00
140F1148	DEVlhotwatt 55	55 m	\$475.00
140F1149	DEVlhotwatt 55	70 m	\$1,548.00
140F1152	DEVlhotwatt 55	80 m	\$2,469.00
98300959	DEVlhotwatt 70	cut to length	\$35.50/m

## DEVImulti™ PVC & HDPE

DEVImulti™ PVC is a high-quality, 4-conductor cable with an outer sheath made of PVC, specially designed for frost protection of long pipes. Additionally, cable is used in multiple outdoor ground, frost protection, etc., applications.

The cable is constructed of 4 identical conductors. The conductors can be connected in different ways (parallel and/or serial), meaning that the same cable can provide up to 11 different outputs, depending on the connection made.

DEVImulti™ PVC is very flexible and therefore perfectly suited for external installation on pipes. It can be supplied in 3 versions with different resistance values.

The cables are not approved for use in contact with water for human consumption.

DEVImulti™ can be customized for the specific project, depending on voltage, required output, length of heating cable and length of cold leads.



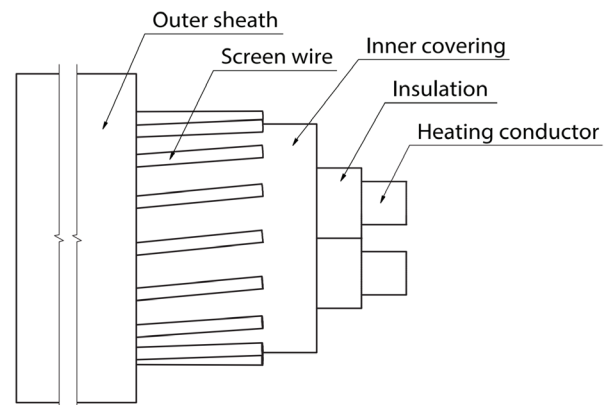
## Specifications

<b>Operation voltage, max.</b>	U <sub>0</sub> /U = 300/500 V~
<b>Construction</b>	4-conductor, round
<b>Max. permissible use temperature, powered</b>	70 °C
<b>Max. permissible use temperature, unpowered</b>	90 °C
<b>Cable dimensions, max.</b>	Ø 8 mm
<b>Deformation strength, min.</b>	600 N
<b>Pulling strength, min.</b>	120 N
<b>Conductor insulation</b>	FEP
<b>Filler sheath</b>	PVC
<b>Outer sheath:</b>	
DEVImulti i™ PVC	PVC, red
DEVImulti i™ HDPE	HDPE, black
<b>Screen</b>	1 mm <sup>2</sup> (16 x 0.286 mm)
<b>Min. installation temperature</b>	0 °C
<b>Bending Ø, min.</b>	6 x cable diameter
<b>IP Class</b>	IPX7

## Features & Applications

- Easy to install
- Various ohmic output
- Safe and robust
- Long lifetime

### Cable construction



Product Code	Type	Resistance (Ω)	Conductor Ø	RRP (excl. GST)
89999140	DMIH	4 x 2.5	0.96 mm	\$15.50/m
89999142	DMIH	4 x 0.220	0.771 mm	\$15.50/m
89999144	DMIH	4 x 0.027	1.02 mm	\$15.50/m
89999056	DMIT	4 x 0.220	0.771 mm	\$15.50/m
89999098	DMIT	4 x 0.027	1.02 mm	\$15.50/m



### DEVpipeguard drum goods

DEVpipeguard™ is a self-limiting heating cable that is mainly used for frost protection of pipes. The self-limiting capability of the cable ensures that the output of the cable increases or decreases according to ambient temperature. The cable will maintain its functionality even when shortened.

The outer sheath is highly resistant to harsh environmental conditions and corrosion and it also serves as protection against mechanical influences.

The cables are not approved for use in drinking water.

### Features & Applications

- Cut to length on site
- PVC free

### Specifications

<b>Nominal voltage</b>	230 V AC
<b>Nominal output (min-max):</b>	
DEVpipeguard™ 10	10 W/m @ 10 °C (10-15 W/m @ 10 °C)
DEVpipeguard™ 25	25 W/m @ 10 °C (25-32.5 W/m @ 10 °C)
DEVpipeguard™ 33	33 W/m @ 10 °C (30-39 W/m @ 10 °C)
<b>Maximum permissible use temperature</b>	65 °C, powered 85 °C, unpowered (1000 hours cumulative)
<b>Minimum installation temperature</b>	-50 °C
<b>Cable dimensions</b>	11.8 mm × 5.5 mm
<b>Outer sheath:</b>	
DEVpipeguard™ 10	Blue, TPE
DEVpipeguard™ 25	Red, TPE
DEVpipeguard™ 33	Brown, TPE
<b>Screen</b>	Tinned copper braid
<b>Minimum braid coverage</b>	70%
<b>Maximum resistance protective braid</b>	18.2 Ω/Km
<b>Bending diameter, min.</b>	50 mm (Ø to the inside of the cable)
<b>IP Class</b>	IPX7

Product Code	Type	Output tolerance, min-max	RRP (excl. GST)
98300708	DEVpipeguard 10 Blue sheath	10-15 W/m @ 10 °C	\$25.50/m
98300761	DEVpipeguard 25 Red	25-32.5 W/m @ 10 °C	\$25.50/m
98300764	DEVpipeguard 33	30-39 W/m @ 10 °C	\$25.50/m

## DEVpipeheat V2 drum goods

DEVpipeheat™ 10 is a self-limiting heating cable that is mainly used for frost protection of pipes. The self-limiting capability of the cable ensures that the output of the cable increases or decreases according to ambient temperature. The heating cables can be installed outside water pipes. The product range: drum cable, cable with cold lead without mains plug and cable with cold lead with an EU Schuko mains plug.

Note 1: The cable is not approved for installation inside the water pipe and for use in contact with drinking water or water for human consumption, waste water, etc.

Note 2: It is the full responsibility of the installer/designer to use proper cold lead dimensioned for the purpose and assembly sets that establish sufficient mechanical strength, flammability resistance and water tightness - and to design the heating unit with correct output for the specific application to avoid overheating of the cable or building materials.



## Features & Applications

- Cut to length on site
- Ready made lengths
- Small cable size

## Specifications

<b>Nominal voltage</b>	230 V~						
<b>Nominal output tolerance</b>	10 W/m @ 10 °C (8.5-13.5 W/m @ 10 °C )						
<b>Max. permissible use temperature, powered</b>	65 °C						
<b>Max. permissible use temperature, unpowered</b>	65 °C						
<b>Minimum use temperature</b>	- 5 °C						
<b>Heating cable dimensions</b>	7.8 × 5.3 mm						
<b>Outer sheath</b>	Blue, TPE						
<b>Minimum Screen Coverage</b>	100% aluminium foil						
<b>Maximum resistance protective braid</b>	18.2 Ω/Km						
<b>Bending Ø, min.</b>	25 mm (Ø to the inside of the cable)						
<b>Cold lead with plug</b>	2 m, 3 x 0.75 mm <sup>2</sup> , Schuko plug (type AU-003)						
<b>Max. installation length on a pipe with 10 A circuit breaker with C-characteristic:</b>	<table> <tr> <td>10 °C</td> <td>100 m (60 m inside the water pipe)</td> </tr> <tr> <td>0 °C</td> <td>96 m</td> </tr> <tr> <td>-20 °C</td> <td>77 m</td> </tr> </table>	10 °C	100 m (60 m inside the water pipe)	0 °C	96 m	-20 °C	77 m
10 °C	100 m (60 m inside the water pipe)						
0 °C	96 m						
-20 °C	77 m						
<b>IP Class</b>	IPX7						

Product Code	Product Name	Output @ 230V	RRP (excl. GST)
98300016	DEVpipeheat™ 10	10 W/m	\$18.50/m



### Features & Applications

- Cut to length on site
- Ready made lengths
- Small cable size

### DEVliceguard

DEVliceguard™ is a self-limiting parallel heating cable that is used for ice and snow melting on roofs and in gutters and downpipes. The self-limiting capability of the cable ensures that the output of the cable increases or decreases according to ambient temperature. The heating cable is flexible and easy to install as it can be cut to length on site and installed directly onto the roof and gutter system.

### Specifications

<b>Nominal voltage</b>	230 V AC
<b>Nominal output (min-max)</b>	18 W/m @ 10 °C
<b>Output tolerance (min-max)</b>	15.4-23.1 W/m @ 0 °C
<b>Maximum permissible use temperature</b>	65 °C, powered 85 °C, unpowered
<b>Minimum installation temperature</b>	-50 °C
<b>Cable dimensions</b>	11.8 mm x 5.8 mm
<b>Outer sheath</b>	Black, TPE
<b>Minimum braid coverage</b>	80%
<b>Maximum resistance protective braid</b>	14.8 Ω/Km
<b>Bending Ø, min.</b>	50 mm (Ø to the inside of the cable)
<b>IP Class</b>	IPX7

Product Code	Product Name	RRP (excl. GST)
98300810	DEVliceguard 18 Black	\$25.50/m

## DEVlconnecto

The DEVlconnecto programme gives you different solutions for easy and safe connection of DEVI self-limiting heating cables - DEVliceguard™ (B), DEVlpipeguard™ (B), DEVlhotwatt™ (B). Using DEVlconnecto to wire up a heating circuit is fast, requiring only a knife and a diagonal cutter.



## Specifications

Nominal voltage, max.	250 V~
Max. current	16 A
Ambient temperature	-25 °C to +60 °C
On request	-25 °C to +85 °C
IP Class	IP66

## Features & Applications

- Lower costs due to reduced assembly time
- Greater reliability due to assembly simplicity
- Safe electrical contacting by precise clamp cutting technology

Product Code	Product Name	Description	RRP (excl. GST)
19808360	DEVlconnecto connection system B-A Connection	Connection power supply	\$134.00
19808361	DEVlconnecto connection system B-C Heating tape connection	Heating cable connection	\$131.00
19808362	DEVlconnecto connection system B-E End Termination	End termination	\$21.20
19808363	DEVlconnecto connection system B-S Connection Termination	Connection and end termination	\$132.50
19808364	DEVlconnecto connection system B-T T-Junction + End termination	Y-junction + end termination	\$253.50
19808365	DEVlconnecto connection system B-TE2 T-Junction + 2 End termination	Y-junction + 2 end terminations	\$272.00
19808366	DEVlconnecto connection system B-TE3 T-Junction + 3 End termination	Y-junction + 3 end terminations	\$296.00
19808367	DEVlconnecto connection system B-X X-Junction + 2 End termination	X-junction + 2 end terminations	\$345.00
19808390	DEVlconnecto connection system Bracket	Bracket and 6 cable ties	\$80.50





### Features & Applications

- Cut to length on site
- PVC free

### DEVIndustrial

DEVpipeguard™ Industry is a self-limiting heating cable that is mainly used for frost protection of pipes and for temperature maintenance in applications up to 120 °C powered or 190 °C unpowered cable.

The cable allows steam cleaning in pipes. The heating element, the insulation and the outer jacket of DEVpipeguard™ Industry are made of fluoropolymers. Fluoropolymer outer jacket offers increased protection against chemicals (oil and fuel) and abrasion.

A temperature-dependent resistance element between two parallel-guided copper conductors regulates and limits the heat output of the heating cable. This power setting takes place at every point of the heating cable, according to the ambient temperature prevailing there. If the temperature rises, the power of the cable is reduced. This self-limiting prevents overheating of the cable, even if it is overlaid. The heating cable can be cut off at desired length by the parallel current supply. This simplifies planning and installation.

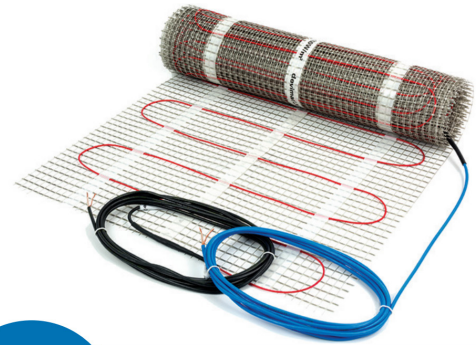
### Specifications

<b>Nominal voltage</b>	230 V AC (max. 254 V AC)
<b>Nominal output (min-max):</b> DEVpipeguard™ 30 Industry DEVpipeguard™ 60 Industry	30 W/m @ 10 °C (30-39 W/m @ 10 °C) 60 W/m @ 10 °C (54-72 W/m @ 10 °C)
<b>Maximum permissible use temperature</b>	120 °C, powered 190 °C, unpowered
<b>Temperature rating conform IEC 60079-30</b>	DEVpipeguard™ 30 Industry – T3 (max 200°C) DEVpipeguard™ 60 Industry – T2 (max 300°C)
<b>Minimum installation and switched on temperature</b>	-5°C
<b>Cable dimensions</b>	11.8 x 5.8 mm
<b>Outer sheath</b>	Red, Fluoropolymer
<b>Minimum braid coverage</b>	70 %
<b>Maximum resistance protective braid</b>	18.2 Ω/Km
<b>Bending Ø, min.</b>	50 mm (Ø to the inside of the tape)
<b>IP Class</b>	IPX7

Product Code	Type	RRP (excl. GST)
98300673	DEVIndustrial DEVpipeguard™ 30 Industry	\$89.00/m
98300674	DEVIndustrial DEVpipeguard™ 60 Industry	\$89.00/m
00109007	Connection kit for DEVpipeguard 30/60 Industry (PT-30/60) heating cables, with clamping block for the connection of cold lead and heating cable, shrink end-cap, shrink tubes, bitumen gaskets and ferrules.	\$51.50
00109026	Connection kit for DEVpipeguard 30/60 Industry (PT-30/60) heating cables. For mounting in connection box with screw connections. With cable gland M20 x 1.5 with locknut, shrink end-cap, shrink tubes, bitumen gasket and ferrules.	\$27.50

## DEVIheat 150S

DEVIheat™ is a high-quality, braided screen, self-adhesive all-in-one mat with FEP insulated conductors and a red PVDF outer sheath (non UV stable). The round profile, very low height (only 2.5 mm) and robust construction ensures a fast, simple and safe installation perfect for renovating existing floors.



## Specifications

Nominal voltage	230 V~
Construction	Round, single conductor with screen, two cold leads
Output	150 W/m <sup>2</sup> @ 230 V~
Max. permissible use temperature, powered	110 °C
Max. permissible use temperature, unpowered	120 °C
Cable thickness	2.5 mm
Deformation strength	600 N
Pulling strength	120 N
Conductor insulation	FEP
Outer sheath	PVDF
Screen	10 x CU threads
Cold lead	2 x 3 m, DSWB, 1 x 1.0 mm <sup>2</sup> , earthed
Min. installation temperature	-5 °C
Bending Ø, min.	6 x cable diameter
IP Class	IPX7
Set with flexpipe	Flexpipe, inner ø 6.7 mm, outer ø 10 mm, 2.5 m, Black

## Features & Applications

- Thinnest mat on the market
- Under tile / in screed applications
- Fast and easy to install
- Self-adhesive mesh
- Very low height - **only 2.5 mm**
- Long lifetime

Product Code	Output @ 230 V~	Dimensions (W x L)	Heated Area (m <sup>2</sup> )	Resistance (Ω)	RRP (excl. GST)
140F0328	75 W	0.5 x 1 m	0.5	705	\$199.00
140F0329	150 W	0.5 x 2 m	1.0	353	\$231.00
140F0330	225 W	0.5 x 3 m	1.5	235	\$269.00
140F0331	300 W	0.5 x 4 m	2.0	176	\$309.00
140F0332	375 W	0.5 x 5 m	2.5	141	\$346.00
140F0333	450 W	0.5 x 6 m	3.0	118	\$384.00
140F0334	525 W	0.5 x 7 m	3.5	101	\$425.00
140F0335	600 W	0.5 x 8 m	4.0	88	\$463.00
140F0336	750 W	0.5 x 10 m	5.0	74	\$538.00
140F0338	900 W	0.5 x 12 m	6.0	59	\$615.00
140F0339	1050 W	0.5 x 14 m	7.0	50	\$693.00
140F0340	1200 W	0.5 x 16 m	8.0	44	\$769.00
140F0337	1350 W	0.5 x 18 m	9.0	39	\$845.00
140F0341	1500 W	0.5 x 20 m	10.0	35	\$923.00



### DEVI-mat™ 100T (DTIF-100)

DEVI-mat™ is an extremely high-quality, 360° fully screened self-adhesive all-in-one mat with FEP insulated conductors and a red PVDF outer sheath (non UV stable). The round profile, low height (only 3.5 mm) and robust construction ensures a fast, simple and safe installation perfect for renovating existing floors.

### Specifications

<b>Nominal voltage</b>	230 V~
<b>Construction</b>	Twin conductor with 360° screening, one cold lead
<b>Output</b>	100 W/m <sup>2</sup> @ 230 V~
<b>Max. permissible use temperature, powered</b>	115 °C
<b>Max. permissible use temperature, unpowered</b>	120 °C
<b>Cable thickness</b>	3.0 mm
<b>Deformation strength</b>	600 N
<b>Pulling strength</b>	120 N
<b>Conductor insulation</b>	FEP
<b>Outer sheath</b>	PVDF
<b>Screen</b>	100% coverage; alu-foil; 0.5 mm <sup>2</sup> tinned copper drain wire
<b>Cold lead</b>	4 m DTWB, 2 x 1 mm <sup>2</sup> with screen
<b>Min. installation temperature</b>	-5 °C
<b>Bending Ø, min.</b>	6 x cable diameter
<b>IP Class</b>	IPX7
<b>Set with flexpipe</b>	Flexpipe, inner ø 6.7 mm, outer ø 10 mm, 2.5 m, Black

### Features & Applications

- Under tile / in screed applications
- Fast and easy to install
- Self-adhesive mesh
- Low height - only 3.5 mm
- Only one cold lead
- Long lifetime
- Maximum protection

Product Code	Output @ 230 V~	Dimensions (W x L)	Heated Area (m <sup>2</sup> )	Resistance (Ω)	RRP (excl. GST)
140F0415	100 W	0.5 x 2 m	1.0	529	\$268.00
140F0416	150 W	0.5 x 3 m	1.5	353	\$312.00
140F0417	200 W	0.5 x 4 m	2.0	265	\$359.00
140F0418	250 W	0.5 x 5 m	2.5	212	\$402.00
140F0419	300 W	0.5 x 6 m	3.0	176	\$446.00
140F0420	350 W	0.5 x 7 m	3.5	151	\$494.00
140F0421	400 W	0.5 x 8 m	4.0	132	\$538.00
140F0422	500 W	0.5 x 10 m	5.0	106	\$625.00
140F0423	600 W	0.5 x 12 m	6.0	88	\$715.00
140F0424	700 W	0.5 x 14 m	7.0	76	\$806.00
140F0425	800 W	0.5 x 16 m	8.0	66	\$894.00
140F0426	900 W	0.5 x 18 m	9.0	59	\$982.00
140F0427	1000 W	0.5 x 20 m	10.0	53	\$1,073.00
140F0428	1200 W	0.5 x 24 m	12.0	44	\$1,252.00

## DEVImat™ 150T (DTIF-150)

DEVImat™ is an extremely high-quality, 360° fully screened self-adhesive all-in-one mat with FEP insulated conductors and a red PVDF outer sheath (non UV stable). The round profile, low height (only 3.5 mm) and robust construction ensures a fast, simple and safe installation perfect for renovating existing floors.



## Specifications

<b>Nominal voltage</b>	230 V~
<b>Construction</b>	Twin conductor with 360° screening, one cold lead
<b>Output</b>	150 W/m <sup>2</sup> @ 230 V~
<b>Max. permissible use temperature, powered</b>	115 °C
<b>Max. permissible use temperature, unpowered</b>	120 °C
<b>Cable thickness</b>	3.0 mm
<b>Deformation strength</b>	600 N
<b>Pulling strength</b>	120 N
<b>Conductor insulation</b>	FEP
<b>Outer sheath</b>	PVDF
<b>Screen</b>	100% coverage; alu-foil; 0.5 mm <sup>2</sup> tinned copper drain wire
<b>Cold lead</b>	4 m DTWB, 2 x 1 mm <sup>2</sup> with screen
<b>Min. installation temperature</b>	-5 °C
<b>Bending Ø, min.</b>	6 x cable diameter
<b>IP Class</b>	IPX7
<b>Set with flexpipe</b>	Flexpipe, inner ø 6.7 mm, outer ø 10 mm, 2.5 m, Black

## Features & Applications

- Under tile / in screed applications
- Fast and easy to install
- Self-adhesive mesh
- Low height - **only 3.5 mm**
- Only one cold lead
- Long lifetime
- Maximum protection

Product Code	Output @ 230 V~	Dimensions (W x L)	Heated Area (m <sup>2</sup> )	Resistance (Ω)	RRP (excl. GST)
140F0444	75 W	0.5 x 1 m	0.5	705	\$248.00
140F0445	150 W	0.5 x 2 m	1.0	353	\$289.00
140F0446	225 W	0.5 x 3 m	1.5	235	\$336.00
140F0447	300 W	0.5 x 4 m	2.0	176	\$386.00
140F0448	375 W	0.5 x 5 m	2.5	141	\$433.00
140F0449	450 W	0.5 x 6 m	3.0	118	\$480.00
140F0450	525 W	0.5 x 7 m	3.5	100	\$531.00
140F0451	600 W	0.5 x 8 m	4.0	88	\$578.00
140F0452	750 W	0.5 x 10 m	5.0	70	\$672.00
140F0453	900 W	0.5 x 12 m	6.0	59	\$769.00
140F0454	1050 W	0.5 x 14 m	7.0	50	\$866.00
140F0455	1200 W	0.5 x 16 m	8.0	44	\$962.00
140F0456	1350 W	0.5 x 18 m	9.0	40	\$1,056.00
140F0457	1500 W	0.5 x 20 m	10.0	35	\$1,154.00
140F0458	1800 W	0.5 x 24 m	12.0	30	\$1,347.00



### DEVI-mat™ 200T (DTIF-200)

DEVI-mat™ is an extremely high-quality, 360° fully screened self-adhesive all-in-one mat with FEP insulated conductors and a red PVDF outer sheath (non UV stable). The round profile, low height (only 3.5 mm) and robust construction ensures a fast, simple and safe installation perfect for renovating existing floors.

### Specifications

<b>Nominal voltage</b>	230 V~
<b>Construction</b>	Twin conductor with 360° screening, one cold lead
<b>Output</b>	200 W/m <sup>2</sup> @ 230 V~
<b>Max. permissible use temperature, powered</b>	115 °C
<b>Max. permissible use temperature, unpowered</b>	120 °C
<b>Cable thickness</b>	3.0 mm
<b>Deformation strength</b>	600 N
<b>Pulling strength</b>	120 N
<b>Conductor insulation</b>	FEP
<b>Outer sheath</b>	PVDF
<b>Screen</b>	100% coverage; alu-foil; 0.5 mm <sup>2</sup> tinned copper drain wire
<b>Cold lead</b>	4 m DTWB, 2 x 1 mm <sup>2</sup> with screen
<b>Min. installation temperature</b>	-5 °C
<b>Bending Ø, min.</b>	6 x cable diameter
<b>IP Class</b>	IPX7
<b>Set with flexpipe</b>	Flexpipe, inner ø 6.7 mm, outer ø 10 mm, 2.5 m, Black

### Features & Applications

- Under tile / in screed applications
- Fast and easy to install
- Self-adhesive mesh
- Low height - only 3.5 mm
- Only one cold lead
- Long lifetime
- Maximum protection

Product Code	Output @ 230 V~	Dimensions (W x L)	Heated Area (m <sup>2</sup> )	Resistance (Ω)	RRP (excl. GST)
140F1735	87 W	0.5 x 0.9 m	0.45	608	\$260.00
83020736	215 W	0.5 x 2.1 m	1.05	246	\$306.00
83020737	285 W	0.5 x 2.9 m	1.45	186	\$353.00
83020738	430 W	0.5 x 4.2 m	2.10	123	\$409.00
83020739	500 W	0.5 x 5.0 m	2.50	106	\$456.00
83020740	605 W	0.5 x 6.2 m	3.10	87	\$509.00
140F1735	695 W	0.5 x 6.9 m	3.45	76	\$557.00
83020742	845 W	0.5 x 8.6 m	4.30	63	\$618.00
83020743	990 W	0.5 x 9.9 m	4.95	53	\$719.00
83020744	1210 W	0.5 x 12.2 m	6.10	44	\$854.00
140F1737	1385 W	0.5 x 14.0 m	7.00	38	\$953.00
140F1738	1565 W	0.5 x 15.6 m	7.80	34	\$1,015.00
140F1739	1715 W	0.5 x 17.6 m	8.80	31	\$1,114.00
83020748	2070 W	0.5 x 21.0 m	10.50	26	\$1,293.00

## DEVlreg™ Touch

DEVlreg™ Touch is an intuitive programmable timer thermostat used for controlling electrical floor heating elements. The thermostat is designed for fixed installation only and due to the specially designed 2-part construction it fits a wide range of frames and sensors. The DEVlreg™ Touch is fast and intuitive to set up using the built-in wizard. It has an energy saving program – including an optimum start/end control ensuring the desired temperature at the correct time, thereby reducing heating costs.

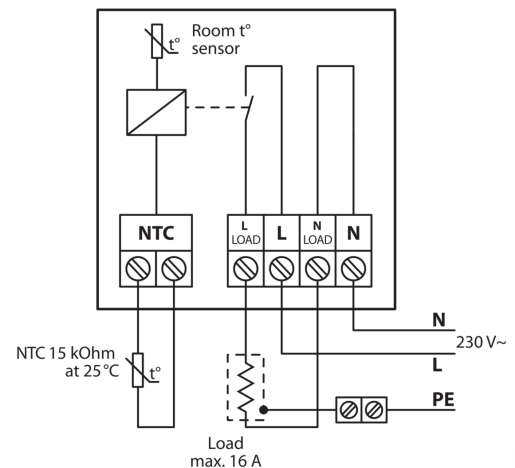


## Specifications

<b>Operation voltage</b>	220V - 240V ~50/60 Hz
<b>Standby power consumption</b>	max. 0.40 W
<b>Relay: Resistive load</b>	16A / 3680W @ 230V
<b>Inductive load</b>	Cos Φ = 0.3 max. 1A
<b>Sensing unit</b>	NTC 15 kΩ @ 25°C, 3 m. (default) NTC 10 kΩ @ 25°C NTC 6.8 kΩ @ 25°C NTC 33 kΩ @ 25°C NTC 12 kΩ @ 25°C NTC 47 kΩ @ 25°C
<b>Regulation</b>	PWM - Pulse Width Modulation
<b>Ambient temperature</b>	0°C to 30°C
<b>Frost protection</b>	5°C to 9°C (default 5°C)
<b>Floor temperature limit</b>	Max. 20°C to 35°C (45°C) Min. 10°C to 35°C (45°C)
<b>Temperature range</b>	5°C to 35°C (room) 5°C to 35°C (45°C with break out) (floor)
<b>Storage temperature</b>	-20°C to 65°C
<b>Cable specification max.</b>	1 x 4 mm <sup>2</sup> or 2 x 2.5 mm <sup>2</sup>
<b>Ball pressure test temperature</b>	75°C
<b>Pollution degree</b>	2 (domestic use)
<b>Controller type</b>	1 C
<b>Software class</b>	A
<b>IP class</b>	21
<b>Protection class</b>	Class II
<b>Dimensions (H/W/D)</b>	85 mm x 85 mm x 20-24 mm (in-wall depth: 22 mm)

## Features & Applications

- Big 2" touch screen
- Built-in setup wizard
- Easy and intuitive functionalities
- Adaptive PWM function
- Fits several single and multiple frames
- Fits several competitor NTC sensors
- Digital timer (2 periods programming)
- Easy online troubleshooting



Product Code	Product Name	RRP (excl. GST)
140F1064	DEVlreg Touch Design Frame Pure White	\$367.00
140F1065	DEVlreg Touch Frameless	\$367.00
140F1068	Devireg Touch CN/HR/HU/NL/ES/PT/GB	\$367.00
140F1069	DEVlreg Touch Pure Black	\$388.00
140F1071	DEVlreg Touch Polar White	\$338.00
140F1078	DEVlreg Touch Ivory	\$388.00
140F1067	DEVlreg Touch Frame Pure White	\$9.00
STDSURNDBLK	Surround Plate for DEVlreg Touch - Black	\$8.50
STDSURNDWHT	Surround Plate for DEVlreg Touch - Pure White	\$8.50
STDSURNDPOL	Surround Plate for DEVlreg Touch - Polar White	\$8.50



## DEVreg™ Smart

DEVreg™ Smart is an intuitive programmable thermostat to be connected to Wi-Fi and DEVsmart™ App, controllable from anywhere at any time. The thermostat is primarily used for controlling electrical floor heating elements. The thermostat is designed for fixed installation only and due to the specially designed 2-part construction it fits a wide range of frames and sensors. The DEVreg™ Smart is fast and intuitive to setup using the App wizard. It has an open window detector and energy saving program including an optimum start/end control ensuring the desired temperature at the correct time and thereby reducing the heating costs.

## Features & Applications

- Wi-Fi connectivity
- Remote controllable via DEVsmart™ App
- Paired with up to 10 mobile devices using the DEVsmart™ App
- Can communicate with two mobile devices simultaneously
- With one DEVsmart™ App you are able to control as many locations with as many DEVreg™ Smart thermostats as you need
- Adaptive PWM function
- Fits many foreign single and multiple frames
- Fits many foreign competitive NTC sensors
- Digital timer 5 period programming



**Try it!**  
Download the  
DEVsmart™ App

## Specifications

<b>Operation voltage</b>	220V - 240V ~50/60 Hz
<b>Standby power consumption</b>	max. 0.40W
<b>Relay:</b>	
<b>Resistive load</b>	16A / 3680W @ 230V
<b>Inductive load</b>	Cos $\Phi$ = 0.3 max. 1A
<b>Sensing unit</b>	NTC 15 k $\Omega$ @ 25°C, 3 m. (default) NTC 10 k $\Omega$ @ 25°C NTC 6.8 k $\Omega$ @ 25°C NTC 33 k $\Omega$ @ 25°C NTC 12 k $\Omega$ @ 25°C NTC 47 k $\Omega$ @ 25°C
<b>Regulation</b>	PWM - Pulse Width Modulation
<b>Ambient temperature</b>	0°C to 30°C
<b>Frost protection</b>	5°C to 9°C (default 5°C)
<b>Floor temperature limit</b>	Max. 20°C to 35°C (45°C) Min. 10°C to 35°C (45°C)
<b>Temperature range</b>	5°C to 35°C (room) 5°C to 35°C (45°C with breakout) (floor)
<b>Storage temperature</b>	-20°C to 65°C
<b>Cable specification max.</b>	1 x 4 mm <sup>2</sup> or 2 x 2.5 mm <sup>2</sup>
<b>Ball pressure test temperature</b>	75°C
<b>Pollution degree</b>	2 (domestic use)
<b>Controller type</b>	1 C
<b>Software class</b>	A
<b>IP class</b>	21
<b>Protection class</b>	Class II
<b>Dimensions (H/W/D)</b>	85 mm x 85 mm x 20-24 mm (in-wall depth: 22 mm)
<b>Weight</b>	115 g

Product Code	Product Name	RRP (excl. GST)
140F1140	DEVreg Smart Polar White	\$451.00
140F1141	DEVreg Smart Pure White	\$451.00
140F1142	DEVreg Smart Ivory	\$479.00
140F1143	DEVreg Smart Black	\$493.00

## DEVlreg™ Opti

DEVlreg™ Opti is an electronic thermostat with a programmable timer, designed to fulfill Eco design directive. The thermostat is primarily used for controlling electrical floor heating elements. The thermostat is designed for fixed installation only and has an integrated frame.

The DEVlreg™ Opti is fast to setup and easy to operate, using buttons placed below the screen. It has an open window detection function, and energy-saving regulation program.

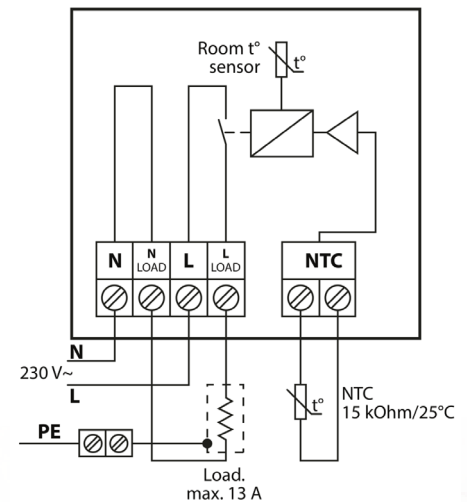


## Specifications

<b>Operation voltage</b>	220V - 240V, 50/60 Hz
<b>Standby power consumption</b>	< 0.5W
<b>Resistive load</b>	13A / 2990W @ 230V
<b>Inductive load</b>	1A (Cos Φ = 0.3)
<b>Sensing unit</b>	NTC 15 kΩ @ 25°C, 3 m.
<b>Regulation</b>	PWM - Pulse Width Modulation
<b>Ambient temperature</b>	0°C to 35°C
<b>Frost protection</b>	5°C to 9°C (default 5°C)
<b>Floor temperature limit</b>	15°C to 35°C (45°C)
<b>Temperature range</b>	5°C to 35°C (room) 5°C to 45°C (floor)
<b>Storage temperature</b>	-25°C to 60°C
<b>Cable specification max.</b>	1 x 4 mm <sup>2</sup> and 2 x 2.5 mm <sup>2</sup>
<b>Ball pressure test temperature</b>	75°C
<b>Pollution degree</b>	2 (domestic use)
<b>Controller type</b>	1 B
<b>Software class</b>	A
<b>IP class</b>	21
<b>Protection class</b>	Class II
<b>Dimensions (H/W/D)</b>	85 mm x 85 mm x 44 mm (in-wall depth: 24 mm)
<b>Weight</b>	138 g

## Features & Applications

- Fulfilling the Eco design directive requirements
- Open window detection and indication
- PWM regulation function
- Weekly timer
- Low stand by consumption
- Always on, visible current room temperature
- Keeps user settings for up to 60 days



Product Code	Cable Length	RRP (excl. GST)
140F1055	DEVlreg OPTI Pure White	\$268.00





## DEVlreg™ 130, DEVlreg™ 132

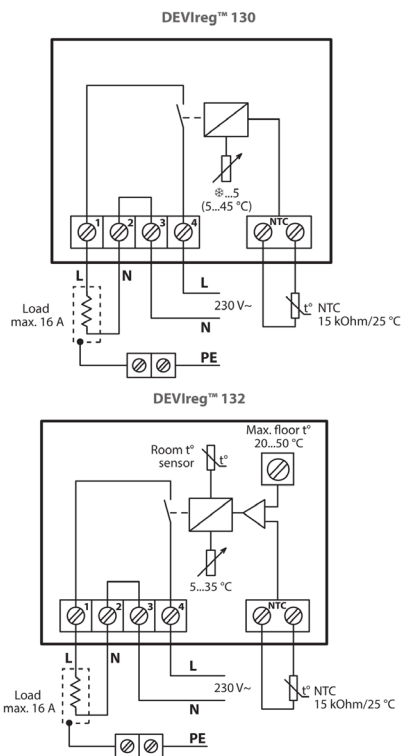
DEVlreg™ 130/132 is a line of simple electronic 16 Amps thermostats with the possibility to be installed directly on the wall. The thermostats have only one button for adjusting the temperature and for OFF mode. Furthermore, it has an LED indicator showing standby (green light) and heating (red light) periods. The thermostats do not have wire sensor failure monitoring. Wire temperature sensor included in the set.

DEVlreg™ 130 is equipped with a wire (floor) sensor used for control of Comfort Floor Heating applications. The thermostat has a dial for adjusting the temperature setting with a numeric scale from 0 to 5 (meaning from OFF, 5 °C to 45 °C and each step corresponds to approx. 9 °C). This type of thermostat can be used for outdoor applications too – ice and snow melting on ground, frost protection on roofs, pipe tracing, etc., because it doesn't have wire sensor failure monitoring.

DEVlreg™ 132 is equipped with a built-in air sensor to control the room temperature and an additional floor (wire) sensor to limit the maximum floor temperature. The main application is Total (Direct) Heating via Floor systems. The thermostat has a dial for adjusting the room temperature, with a degree scale from 0 to 35°C (which means from OFF, 5°C to 35°C). Adjusting maximum floor temperature is provided with potentiometer placed under front cover (default 35°C).

## Features & Applications

- Low standby consumption
- Installation on the wall
- LED indication
- Frost protection
- Ice and snow melting applications



## Specifications

<b>Operation voltage</b>	220V - 240V, 50/60 Hz
<b>Standby power consumption</b>	Max. 5W
<b>Resistive load</b>	Max. 16 A (3680 W) @ 230 V
<b>Inductive load</b>	Max. 1 A, cos Φ = 0,3
<b>Hysteresis</b>	± 0,2°C
<b>Ambient temperature</b>	-10 °C to +30 °C
<b>Frost protection</b>	5 °C -
<b>Cable specification max</b>	1 x 4 mm <sup>2</sup> or 2 x 2,5 mm <sup>2</sup>
<b>Ball pressure test temperature</b>	75°C
<b>Pollution degree</b>	2 (domestic use)
<b>Controller type</b>	1 C
<b>Storage temperature</b>	-20 °C to +65 °C
<b>IP class</b>	IP 30
<b>Protection class</b>	Class II
<b>Dimensions (H/W/D)</b>	82 x 82 x 36 mm
<b>Weight</b>	90 g

Product Code	Name	Temp. Range	Amps	Sensing	Mounting	RRP (excl. GST)
140F1010	DEVlreg 130	5 to 45 °C	16	Floor	Surface	\$137.00
140F1011	DEVlreg 132	5 to 35 °C	16	Floor & Air	Surface	\$140.00

## DEVIreg™ 330

DEVIreg™ 330 is a line of simple electronic thermostats to be installed in electric cabinets with DIN rail attachment. To measure and control the desired temperature either a wire sensor (in the set) or an external indoor/outdoor air sensor must be used. The thermostats must be installed via an all-pole disconnection switch. It has a LED indicating showing standby (green light) and heating (red light) periods.

DEVIreg™ 330 has a relay with 2 contact pairs - NO (normally opened) and NC (normally closed), and are supposed to be used for heating and cooling systems. Additionally, NO and NC contact pairs are not wetted by a voltage source inside the thermostats, and can be used for control systems with any voltage up to 250V. The series is designed with thermostats in three temperature range.

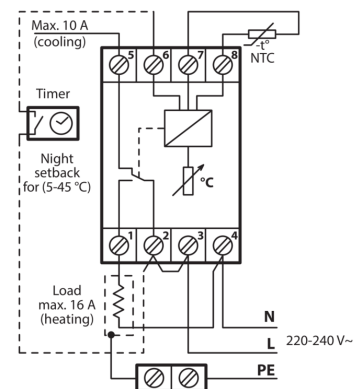


## Specifications

<b>Operation voltage</b>	220V - 240V, 50/60 Hz
<b>Standby power consumption</b>	Max. 0.25W
<b>Resistive load</b>	Max 16 A (3680 W) @ 230V
<b>Inductive load</b>	Max. 1A, cos Φ = 0,3
<b>Ambient temperature</b>	-10 °C to +50 °C
<b>Cable specification max</b>	1 x 4 mm <sup>2</sup> or 2 x 2.5 mm <sup>2</sup>
<b>Storage temperature</b>	-20 °C to +65 °C
<b>IP Class</b>	20
<b>Protection class</b>	Class II
<b>Dimensions (H/W/D)</b>	85 x 36 x 58 mm
<b>Weight</b>	83 g

## Features & Applications

- For DIN rail mounting
- Low temperature area
- Low standby consumption
- LED indicator



Product Code	Name	Temp. Range	Sensor type	Sensing	Mounting	RRP (excl. GST)
140F1070	DEVIreg 330	-10 to +10 °C	16	Floor	DIN Rail	\$254.00
140F1072	DEVIreg 330	5 °C to 45 °C	16	Floor	DIN Rail	\$254.00
140F1073	DEVIreg 330	60 °C to 160 °C	16	Floor	DIN Rail	\$353.00

Product Code	Name	Description	RRP (excl. GST)
104F1095	Room sensor, 426-frame	85 x 85 x 30 mm, NTC 15 kOhm at 25 °C, IP 20	\$31.00
140F1096	Outdoor sensor IP44	80 x 50 x 35 mm, NTC 15 kOhm at 25 °C, IP 44	\$81.00
140F1091	Sensor cable 3m, 15 kOhm, Santropene	Wire sensor, 2x0.75 mm <sup>2</sup> , NTC 15 kOhm at 25 °C, Ø5 mm, black Santropene (TPV) outer sheath, IP 67	\$54.00
19121445	Sensor cable 40m, 15 kOhm, Santropene	Wire sensor, 2x0.75 mm <sup>2</sup> , NTC 15 kOhm at 25 °C, Ø5 mm, black Santropene (TPV) outer sheath, IP 67	\$114.00
140F1092	Outdoor sensor 2.5 m, 15 kOhm, PVC	Wire sensor 2 x 0.75 mm <sup>2</sup> , NTC 15 kOhm at 25 °C, Ø8 mm, white PVC outer sheath, IP 67	\$71.00
140F1098	Outdoor sensor 10 m, 15 kOhm, PVC	Wire sensor 2 x 0.75 mm <sup>2</sup> , NTC 15 kOhm at 25 °C, Ø8 mm, white PVC outer sheath, IP 67	\$65.00
140F1097	Silicon temperature sensor for DEVIreg™ 330 (60-160°C), NTC 16,7 kOhm @ 100°C	Wire sensor 2.5m, 2 x 0.75 mm <sup>2</sup> , NTC 16,7 kOhm at 100 °C, IP 65	\$113.00



### DEVlreg™ 530, 531, 532

DEVlreg™ 530 is a 15A thermostat with a wire (floor) sensor, used to control Comfort Floor Heating systems. The thermostat has a dial for adjusting the temperature setting with a numeric scale from ❄️ to 6 (meaning from 5 °C to 45 °C and each step corresponds to approx. 8 °C).

DEVlreg™ 531 is a 15 Amps thermostat with a built-in air (room) sensor, used to control Direct Floor Heating systems. It has a dial for adjusting the temperature setting with a degree scale from ❄️ to 35 °C (meaning from 5 °C to 35 °C).

DEVlreg™ 532 is a 15 Amps thermostat with a built-in air (room) sensor to control the room temperature and an additional floor (wire) sensor to limit the maximum floor temperature. The thermostat is used to control Direct Heating via Floor systems with limitation of maximum floor temperature in wooden floors and other heat sensitive floors. It has a dial for adjusting the room temperature, with a degree scale from ❄️ to 35 °C (meaning from 5 °C to 35 °C). Adjusting of the maximum floor temperature is provided by potentiometer placed under front cover (default 35 °C).

### Features & Applications

- 2-pole safety breaker
- Low standby consumption
- Sensor failure monitoring
- LED indication for fault
- Frost protection

### Specifications

<b>Operation voltage</b>	220V - 240V, 50/60 Hz
<b>Standby power consumption</b>	Max. 0.25 W
<b>Resistive load</b>	Max 15A (3450 W) @ 230 V
<b>Inductive load</b>	Max. 1A, cos Φ = 0.3
<b>Hysteresis</b>	± 0.4 °C
<b>Sensing unit</b>	NTC 15 kOhm at 25 °C
<b>Ambient temperature</b>	-10 °C to +30 °C
<b>Frost protection</b>	5 °C - ❄️
<b>Cable specification max.</b>	1 x 4 mm <sup>2</sup> or 2 x 2.5 mm <sup>2</sup>
<b>Ball pressure test temperature</b>	75 °C
<b>Pollution degree</b>	2 (domestic use)
<b>Controller type</b>	1 C
<b>Storage temperature</b>	-20 °C to +65 °C
<b>IP class</b>	IP 31
<b>Protection class</b>	Class II
<b>Dimensions (H/W/D)</b>	85 x 85 x 36 mm
<b>Weight</b>	90 g

Product Code	Product Name	Temperature Range	Sensor Type	RRP (excl. GST)
140F1030	DEVlreg 530	5 - 45 °C	Wire sensor, 3m, NTC 15 kOhm at 25 °C	\$191.00
140F1034	DEVlreg 531	5 - 35 °C	Built-in room sensor	\$184.00
140F1037	DEVlreg 532	5 - 35 °C room temperature; 20 - 50 °C floor temperature limiter (default 35 °C)	Built-in room sensor and wire sensor, (3m, NTC 15 kOhm at 25 °C)	\$198.00

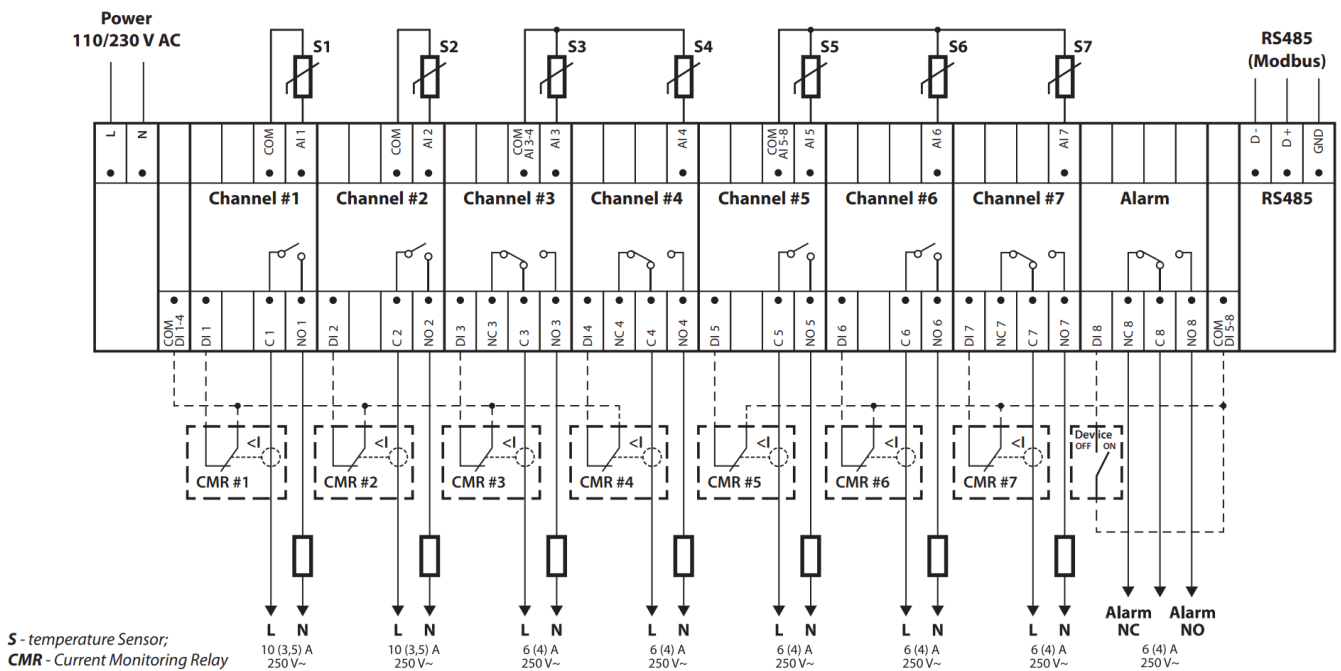
## DEVreg™ Multi

DEVreg™ Multi is a 7 channel electronic programmable controller to be installed on DIN rail. Every channel can be individually set up with three control modes – with temperature sensor, time proportional power regulation without sensor, and manually on/off with time limitation. Channels inputs can be selected via software between 8 types of temperature sensors including NTC 15 kOhm at 25°C. Modbus RS485 opto-insulated serial interface gives possibility for BMS control.

DEVreg™ Multi has some special functions which can be programmed for every channel: relay status - opened or closed corresponding to 'Heating On' mode, channel activation or deactivation, sensor failure alarm, min and max temperatures alarm, cable failure monitoring, relay test, channel on/off, relay cycles calculator, etc.



### Connection scheme DEVreg™ Multi



### Features & Applications

- 7 independent channels
- 3 control modes:
  - with temperature sensor
  - time proportional regulation
  - manually on/off
- Heating or cooling control
- Compatible with 8 sensor types
- Accurate temperature control
- Alarm functions
- Cable failure monitoring
- Multi-language menu
- Graphic LCD display
- BMS control capability
- 8 DIN modules

### Specifications

<b>Nominal voltage</b>	110/230 V AC, 50–60 Hz
<b>Power consumption, max.</b>	20 V A
<b>Relay resistive (inductive, cos(phi) = 0.6) load:</b>	
<b>Total current load limit</b>	32 A
<b>C1-NO1, C2-NO2</b>	10 (3,5) A (100 000 cycles)
<b>C5-NO5, C6-NO6</b>	6 (4) A (100 000 cycles)
<b>C3-NO3-NC3, C4-NO4-NC4</b>	6 (4) A (100 000 cycles)
<b>C7-NO7-NC7, C8-NO8-NC8</b>	6 (4) A (100 000 cycles)
<b>Sensor inputs</b>	Analog inputs AI1-AI8
	Temperature sensors separately selectable via software at analog inputs AI1-AI7 between:
	NTC15k (15 kOhm @ 25 °C)
	NTC10k (10 kOhm @ 25 °C)
	NTC5k (5 kOhm @ 25 °C)
	NTC2k (2 kOhm @ 25 °C)
	NTC100 (100 kOhm @ 25 °C)
	NTC16k (16.7 kOhm @ 100 °C)
	PT1000 (1000 Ohm @ 0 °C)
	Ni100 (100 Ohm @ 0 °C)
<b>Sensing unit</b>	
<b>Sensor failure monitoring</b>	Disconnected or short-circuited sensor
<b>Digital inputs</b>	DI1-DI8, voltage free contacts, on/off inputs
<b>Connection specification</b>	Grouped screws plug-in connectors, pitch 5 mm
<b>Cable specification for connectors terminals</b>	Section cable 0.2-2.5 mm <sup>2</sup>
<b>Battery back-up time, min.</b>	48 hours
<b>Ball pressure test</b>	125 °C according to IEC 60730-1
<b>Pollution degree</b>	2 (domestic use)
<b>Controller type</b>	1 C
<b>Operating temperatures and conditions</b>	CE: -20T60 / UL: 0T55, 90% RH non-condensing
<b>Storage temperature and conditions</b>	-30T85, 90% RH non-condensing
<b>IP class</b>	IP40 only on the front cover
<b>Protection class</b>	Class II
<b>Immunity against voltage surges</b>	Designed for Over Voltage Category II
<b>Dimensions (H/W/D), DIN dimension:</b>	110(122) x 138 x 70 mm, 8 DIN modules
<b>Mounting method</b>	DIN rail, complying with EN 60715
<b>Weight, net</b>	511 g
<b>Menu languages:</b>	v01.7: EN, PL, RU, UA
<b>Base controller</b>	Danfoss MCX08M2, item no. 080G0307
<b>Software class</b>	A

Product Code	Product Name	Type	RRP (excl. GST)
140F1139	DEVlreg™ Multi	Programmable controller with Wire sensor NTC 15 kOhm at 25 °C, 3 m	\$1,406.00

## DEVireg™ 850

DEVireg™ 850 version IV is an advanced thermostat with LED display used for outdoor ground or roof applications. The sensors provide information about both moisture level and temperature, resulting in an optimal control of the heating system.

The DEVireg™ 850 IV can handle up to 2 independent areas, in any of the following combinations:

- Single system for roof or ground (1 system, 1–4 sensors).
- Combination system: 1 ground system and 1 roof system (2 systems, 2–4 sensors total, min. 1 sensor per system).
- Dual system: either 2 roof systems or 2 ground systems (2 systems, 2–4 sensors total, min. 1 sensor per system).

In the dual / combination systems it is possible to prioritize between the zones, e.g. if only a limited power output is available.

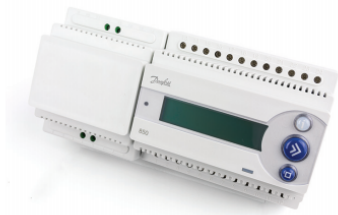


## Specifications

<b>Operation voltage:</b>	
<b>PSU 24 VDC</b>	180 – 250 VAC, 50–60 Hz / 24 VDC
<b>DEVireg™ 850 IV</b>	24 VDC ±10%
<b>Power consumption, max.:</b>	
<b>DEVireg™ 850 IV</b>	3 W
<b>Roof sensor</b>	8 W (each)
<b>Ground sensor</b>	13 W (each)
<b>Relay resistive load, max.:</b>	
<b>System A / B relay</b>	15 A (3450 W) @ 230 V
<b>Alarm relay</b>	2 A @ 230 V
<b>Inductive load each relay, max</b>	1 A @ 230 V, power factor 0.3
<b>Sensing unit</b>	DEVibus™ connected moisture sensor(s)
<b>Cable specification for terminals max.</b>	1 x 4 mm <sup>2</sup> or 2 x 2.5 mm <sup>2</sup>
<b>Ball pressure test temperature</b>	75 °C
<b>Pollution degree</b>	2 (domestic use)
<b>Controller type</b>	1 C
<b>Storage temperature</b>	-20 °C to +65 °C
<b>IP class</b>	IP 20
<b>Protection class</b>	Class II
<b>Dimensions (H/W/D):</b>	
<b>PSU 24 VDC</b>	85 x 73 x 53 mm
<b>DEVireg™ 850 IV</b>	85 x 105 x 53 mm
<b>Mounting method</b>	DIN Rail
<b>Weight</b>	720 g
<b>Versions (languages)</b>	Latin: GB, CZ, DE, DK, ES, EST, FI, FR, HR, HU, LT, LV, NL, NO, PL, SCG, SE, SI, SK, TR. Cyrillic: GB, BG, RO, RU.

## Features & Applications

- Single, combination or dual zones
- Up to 4 sensors
- Moisture and temperature sensing
- Self diagnosing programme
- Safety level adjustment
- Alarm function



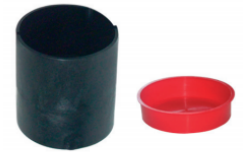
DEVireg™ 850 IV with PSU



Roof sensor

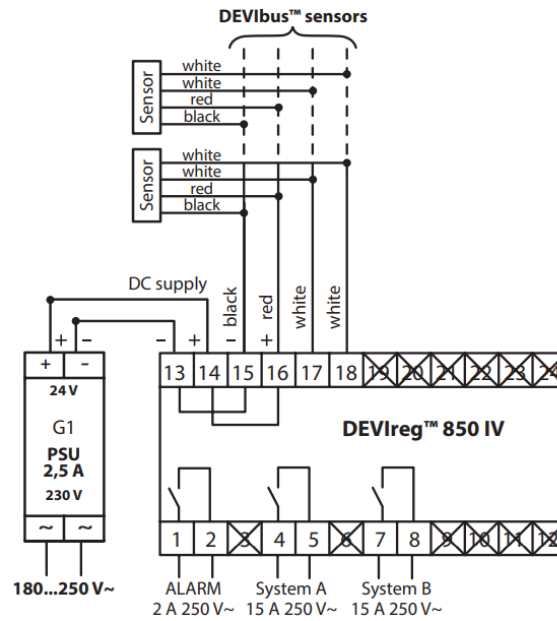


Ground sensor



Sensor tube and cup for Ground sensor

### Connection scheme DEVireg™ 850 IV



Product Code	Product Name	Type	Size, mm	Ambient Temperature	RRP (excl. GST)
140F1085	DEVireg™ 850 IV	Without sensors, Latin languages	85 x 105 x 53	-10...+50 °C	\$850.00
140F1086	Roof sensor	For DEVireg™ 850, with sensor tube, cable - 15m	15 x 24 x 216	-50...+70 °C	\$785.00
140F1088	Ground sensor	For DEVireg™ 850, cable - 15m	Ø 93 x 98	-30...+70 °C	\$817.00
19119977	Sensor tube and cap	For Ground Sensor DEVireg™ 850	Ø 93 x 98	-30...+70 °C	\$41.00

## DEVlreg™ 610

DEVlreg™ 610 is an electronic IP44 10A thermostat, suitable for many different purposes both indoor and outdoor applications. It is provided with a 2-pole switch and a wire sensor to control the desired temperature.

The thermostat has a button for adjusting the temperature setting with a scale from -10 °C to +50 °C, and a LED indicating the current mode (heating, standby or fault).

It is water resistant and can be mounted on any plain surface indoor or outdoor.

**IMPORTANT: When the thermostat is used to control a floor heating element in connection with a wooden floor or similar material, always use a floor sensor and never set the maximum floor temperature to more than 35°C.**

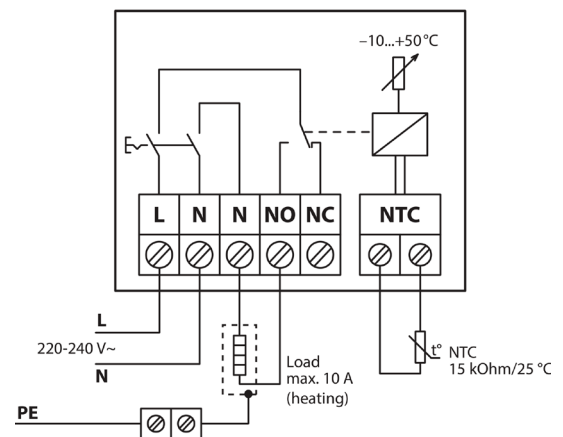


## Specifications

<b>Operation voltage</b>	220V - 240V, 50/60 Hz
<b>Standby power consumption</b>	Max. 0.93 W
<b>Relay - resistive load</b>	Max 10 A (2300 W) @ 230V
<b>Relay - inductive load</b>	Max. 1A, Cos Φ = 0.3
<b>Sensing unit</b>	NTC 15 kOhm at 25 °C
<b>Hysteresis</b>	± 0.2 °C
<b>Ambient temperature</b>	-30 °C to +55 °C
<b>Temperature range</b>	-10 °C to +50 °C
<b>Cable specification max</b>	1 x 4 mm <sup>2</sup> or 2 x 2.5 mm <sup>2</sup>
<b>Ball pressure test temperature</b>	75°C
<b>Pollution degree</b>	2 (domestic use)
<b>Controller type</b>	1 C
<b>Storage temperature</b>	-20°C to +65°C
<b>IP class</b>	IP 44
<b>Protection class</b>	Class II
<b>Dimensions (H/W/D)</b>	100 mm x 69.5 mm x 45 mm
<b>Weight</b>	165 g

## Features & Applications

- ON/OFF switch
- Terminals for NO/NC connection
- LED indicator
- Mounts directly onto plain surfaces
- Low energy consumption
- IP44

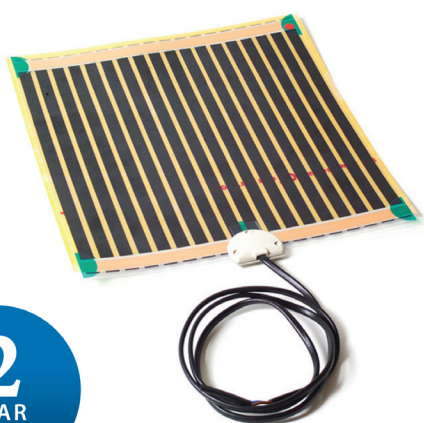


Product Code	Product Name	Type	RRP (excl. GST)
140F1080	DEVlreg™ 610	Temp. range -10 °C/+50 °C incl. wire sensors	\$353.00

## Thermostat Accessories

Product Code	Product Name	RRP (excl. GST)
19808922	Wall box ELKO S45/6	\$29.00
19808932	On wall mounting Box with ELKO Frame	\$29.00
140F1090	Room sensor, FUGA-frame	\$98.00





### DEVIfoil Mirror

An effective system for keeping the mirror completely steam free.

Fast and easy installation where the self-adhesive side of the heating foil is placed on the back of the mirror.

Low energy consumption and automatic activation when the light is switched on.

### Features & Applications

- Fast and easy to install
- Low energy consumption
- Automatic activation

### Specifications

<b>Nominal voltage</b>	230 V~
<b>Output</b>	200 W/m <sup>2</sup>
<b>Max. ambient temperature</b>	80 °C
<b>IP Class</b>	IP 44
<b>Protection class</b>	Class II
<b>Connection cable length</b>	95 cm
<b>Connection muff</b>	4 x 31 x 39 mm

Product Code	Wattage	Dimensions	RRP (excl. GST)
6200000	17.5 W	0.274 x 0.358m	\$95.50
6200001	40 W	0.410 x 0.524m	\$127.00
6200002	70 W	0.708 x 0.524m	\$175.00

## DEVicell

DEVicell™ is an energy-efficient system, which provides up to 20% extra energy saving through integrated thermal insulation. DEVicell™ insulation plate is covered with aluminum and ready-made grooves for easy and fast installation of DEViflex™ heating cables. The full covering aluminum effect ensures faster reaction time and an even heat distribution for the top floor.

DEVicell™ is a special system for new floors, installed on top of all existing floors or sub floors. The system can be installed on existing tiles, wooden floors or concrete floors. The system can be used under nearly all types of floor surfaces. In case of "wet" installation - the glue and primer, must be suitable for installation of tiles onto an aluminum plate and confirmed by supplier of adhesives.

For use under laminate, wooden or parquet floors – DEVicell™ & DEViflex™ must not be embedded in concrete or similar "wet" material. Dry installation only.



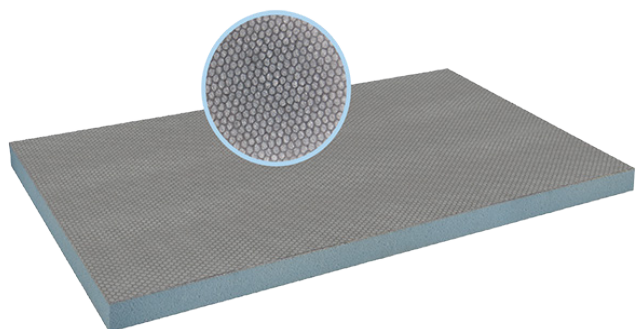
## Specifications

<b>Construction</b>	Polystyrene with aluminium
<b>R value</b>	0.26 m² K/W
<b>Plate size</b>	50 x 100 cm
<b>Thickness</b>	13mm
<b>Aluminum thickness</b>	0.8mm
<b>Insulation</b>	12mm fire retardant EPS
<b>Deformation strength</b>	>400kPa at 10% compression
<b>Max working temperature</b>	80°C
<b>Usage of cable</b>	5m per plate
<b>Noise reduction</b>	-3 dB

## Features & Applications

- Sturdy construction
- No mason work with screed
- Fits DEViflex™ (DTIP)
- Fits odd corners
- Reduced downward heat loss
- Even temperature distribution
- Quick response time with timer
- Noise reduction -3dB

Product Code	Product Name	RRP (excl. GST)
140F1130	DEVicell 5 5m² 10pcs	\$665.00
140F1131	DEVicell 2m² 4pcs	\$342.00
140F1132	DEVicell 50m² 100pcs	\$5,694.00
15992250	DEVicell Connective clips for Devicell Dry	\$8.66
109200	DEVicell EPS-Randplatten W25 DEVicell	\$10.00
18055300	DEVicell Flexkit for DEVicell	\$29.00



### Marmox Boards

50% of heat created by underfloor heaters is absorbed by the concrete slab. When using Marmox boards, most of the heating element is reflected upwards in the floor surfaces. These construction boards are waterproof, provide thermal insulation and are versatile enough to use in any wet area application.

### Features & Applications

- High compressive strength withstand 30 t/m<sup>2</sup>
- Corrosion resistant
- Can improve the efficiency of your electric heating by up to 50%
- Easy to install
- Good impact noise insulation material
- Waterproof membrane with proper joint treatment

### Specifications

<b>Density</b>	DIN53420	36 kg/m
<b>Thermal Conductivity</b>	DIN52612	0.027 W/mk
<b>Thermal Conductivity (5 years)</b>	DIN52612	0.032 W/mk
<b>Compressive Strength</b>	DIN53421	300 KN/m
<b>Water Absorption (Immersion)</b>	DIN53428	0.2% by vol.
<b>Water Absorption (Capillary)</b>	DIN53428	NIL
<b>Flammability</b>	BS 476 part 6,7 DIN4102	Class 0 B1
<b>Coef. of expansion</b>		30x10-6

Product Code	Cable Length	RRP (excl. GST)
<b>CB06</b>	Insulation Boards 6mm x 1250mm x 600mm	\$35.60
<b>CB10</b>	Insulation Boards 10mm x 1250mm x 600mm	\$40.40
<b>CB20</b>	Insulation Boards 20mm x 1250mm x 600mm	\$52.90
<b>CB20L</b>	Insulation Boards 20mm x 2500mm x 600mm	\$92.90
<b>CB30L</b>	Insulation Boards 30mm x 2500mm x 600mm	\$114.20
<b>CB40L</b>	Insulation Boards 40mm x 2500mm x 600mm	\$135.50
<b>CB50L</b>	Insulation Boards 50mm x 2500mm x 600mm	\$160.80
<b>W26</b>	Marmox Washer 36mm (bags of 20)	\$8.00
<b>FB2005</b>	Fibreglass Tape 50mm x 20m	\$7.50
<b>FB2010</b>	Fibreglass Tape 100mm x 20m	\$12.00
<b>G3MMRAU</b>	Gold 3MM Rubber Acoustic Underlay	\$7.05/m <sup>2</sup>

DT-A

## Miscellaneous Accessories

Product Code	Product Name	RRP (excl. GST)	Picture
HZRK150S/T	Heat Zone Repair Kit 150S/T and cables	\$50.00	
18055240	DEVlcrimp repair-set for DEVlheat	\$50.70	
18055249	DEVlcrimp™ for DEVlsnow™ (DTCE)	\$50.70	
18055350	DEVlcrimp ass/repair kit 2-cond. CS2A/CS	\$50.70	
18055510	DEVlcrimp rep-set DEVlmat	\$50.70	
HZCM	Cable Monitor	\$40.00	
19805236	DEVlclip Twist 1 Bag with 1000 pcs	\$124.00	
19805250	DEVl Turntable	\$71.00	

### Miscellaneous Accessories

Product Code	Product Name	RRP (excl. GST)	Picture
19805480	DEVlcrimp assembly set 4-cond. type C	\$54.00	
19805704	Repair kit cables	\$124.00	
19805753	Con. kit cable/box Self-limiting cables	\$43.00	
19805761	Con. kit cable/cold tail	\$51.00	
19805779	Con. kit cable/ cable Self-limiting cable	\$36.00	
19809106	Flexpipe Ø 6.7mm 2.5m Black with Plug	\$7.50	
19808236	DEVlfast 25m Metal In box	\$72.00	

## Miscellaneous Items

Product Code	Product Name	Category	RRP (excl. GST)	
HZIB - 1	Isolator Bracket, zinc coated, galvanized	Brackets	\$33.00	
Elastabond 5L	Resin dispersion to fortify cement flooring compounds. Use in place of mixing water.	Construction Chemicals	\$24.50	
Level Floor Standard 20kg	Durable, self-levelling underlay for ceramic tiles and timber floors. Coverage 1.5kg/m <sup>2</sup> per 1mm thickness.	Construction Chemicals	\$45.50	
Monoflex 20kg Tile Adhesive	High-strength, highly flexible, premium, non-slump/lipping, economical and multipurpose. Coverage 20kg covers 10m <sup>2</sup> + using a 10mm notched trowel (floors)	Construction Chemicals	\$49.50	
TensorGrip F40	TensorGrip F40 Aggressive Tack Solvent Non Odour (500gm)	Glue	\$36.00	
TensorGrip F40	TensorGrip F40 Aggressive Tack Solvent Non Odour (22L)	Glue	\$550.00	
48mm 30 micron Plain Aluminium Foil Tape 45mtr	48mm 30 micron Plain Aluminium Foil Tape 45mtr	Tape	\$19.00	

## 1 Warranty Terms

At Danfoss, we find it of great importance to deliver high quality products with long lasting effects. Should you, against all expectations, experience a problem with your product, Danfoss offers warranty for DEVI brand valid from the date of purchase that was no later than 2 years from production date on the following conditions: During the warranty period Danfoss shall offer a new comparable product of DEVI brand or repair the product if the product is found to be faulty by reason of defective design, materials or workmanship. The decision to either repair or replace will be solely at the discretion of Danfoss.

We offer you the best warranties in the market.

The warranty is a series of five individual, best-in-market warranties to give you full peace of mind while using Electric Heating products.

We provide two warranty types: **Product warranty** and **Full-service warranty valid from the 1st of July, 2021**.

### Product warranty



The product warranty is valid for the agreed warranty period and shall offer a new comparable product or repair of the product if it is found to be faulty by reason of defective design, materials or workmanship. This warranty covers all our products that are not covered by Full-service warranty. Its term may vary depending on different product types (as shown in the table below).

Product warranty covers costs for:

- product replacement with a new comparable product or repair of the product
- transportation costs

### Full-service warranty



If the product is covered by full-service warranty, in addition to repair or replacement of the defective product Danfoss will also compensate installation costs and any damage to floor/surface materials (e.g. brickwork, tiles and roof surface) if the damage is caused by the defective product or is an unavoidable result of

repairing the defective product. Except for such costs and damage, Danfoss shall not be liable for any resulting losses or consequential or incidental damages including, but not limited to, damages to property or extra utility expenses. No extension of the warranty period following repairs undertaken is granted.

**Full-service warranty** is valid for resistive ready-made heating cables and mats. Specific product groups can be found in below table.



## Full-service warranty covers costs for:





- inspection of the warranty claim
- product replacement with a new comparable product or repair the product
- payments for the installation
- floor materials of similar type or price level (e.g. damage to brickwork and tiles)
- transportation costs

The warranty shall be valid only if the WARRANTY CERTIFICATE is completed correctly and in accordance with the instructions; and provided if the fault is submitted to the installer or the seller without undue delay and proof of purchase is provided.


The warranty shall not cover any damage caused by incorrect conditions of use, incorrect installation or if installation has been carried out by non-authorized installers. All work will be invoiced in full if Danfoss is required to inspect or repair faults that have arisen as a result of any of the above. The DEVIwarranty shall not extend to products which have not been paid in full. Danfoss will, at all times, provide a rapid and effective response to all complaints and inquiries from our customers.

All claims not meeting the above conditions are explicitly excluded from the DEVIwarranty.

For all our products, we maintain the following warranties:

	<b>Ready-made heating cables:</b> <ul style="list-style-type: none"> <li>• DEVIbasic™</li> <li>• DEVIcomfort™</li> <li>• DEVIflex™</li> <li>• DEVISnow™</li> <li>• DEVlasphalt™</li> </ul>	<b>Ready-made heating mats:</b> <ul style="list-style-type: none"> <li>• DEVIheat™</li> <li>• DEVIcomfort™</li> <li>• DEVIamat™</li> <li>• DTCE</li> <li>• DEVISnow™</li> <li>• DEVlasphalt™</li> </ul>	
	<b>Ready-made heating cables:</b> <ul style="list-style-type: none"> <li>• DEVIsafe™</li> <li>• DEVIaqua™</li> </ul>		
	<b>Drum goods:</b> <ul style="list-style-type: none"> <li>• DEVIpipeguard™ LSZH (T)</li> </ul>		<b>Other products:</b> <ul style="list-style-type: none"> <li>• DEVIcell™</li> </ul>
	<b>Ready-made heating cables:</b> <ul style="list-style-type: none"> <li>• DEVIpipeheat™</li> <li>• DEVIceguard™ (G)</li> </ul> <b>Drum goods:</b> <ul style="list-style-type: none"> <li>• DEVIbasic™</li> <li>• DEVISnow™</li> <li>• DEVIsport™</li> <li>• DEVImulti™</li> <li>• DEVIpipeheat™</li> <li>• DEVIhotwatt™ (B)</li> <li>• DEVIpipeguard™ (B)</li> <li>• DEVIpipeguard™ (T) Industry</li> <li>• DEVIceguard™ (B)</li> </ul>	<b>Ready-made heating mats:</b> <ul style="list-style-type: none"> <li>• DEVIDry™</li> <li>• DEVIheat™ Sport 90S</li> </ul>	<b>Thermostats / Controllers:</b> <ul style="list-style-type: none"> <li>• DEVIreg™ Touch</li> <li>• DEVIreg™ Smart</li> </ul>



			Thermostats / Controllers:
			<ul style="list-style-type: none"> <li>• DEVIreg™ 233</li> <li>• DEVIreg™ 130</li> <li>• DEVIreg™ 132</li> <li>• DEVIreg™ 530M</li> <li>• DEVIreg™ 530</li> <li>• DEVIreg™ 531</li> <li>• DEVIreg™ 532</li> <li>• DEVIreg™ Opti</li> <li>• DEVIreg™ Hotwater</li> <li>• DEVIreg™ 330</li> <li>• DEVIreg™ 316</li> <li>• DEVIreg™ 610</li> <li>• DEVIreg™ Multi</li> <li>• DEVIreg™ 850 IV</li> </ul>
			<p><b>Other products:</b></p> <ul style="list-style-type: none"> <li>• DEVItemp™ Fan Heater</li> <li>• DEVItronic™</li> <li>• DEVIDry™ Pro Kit</li> <li>• DEVIfoil™ Mirror</li> </ul> <p><b>All accessories</b></p>

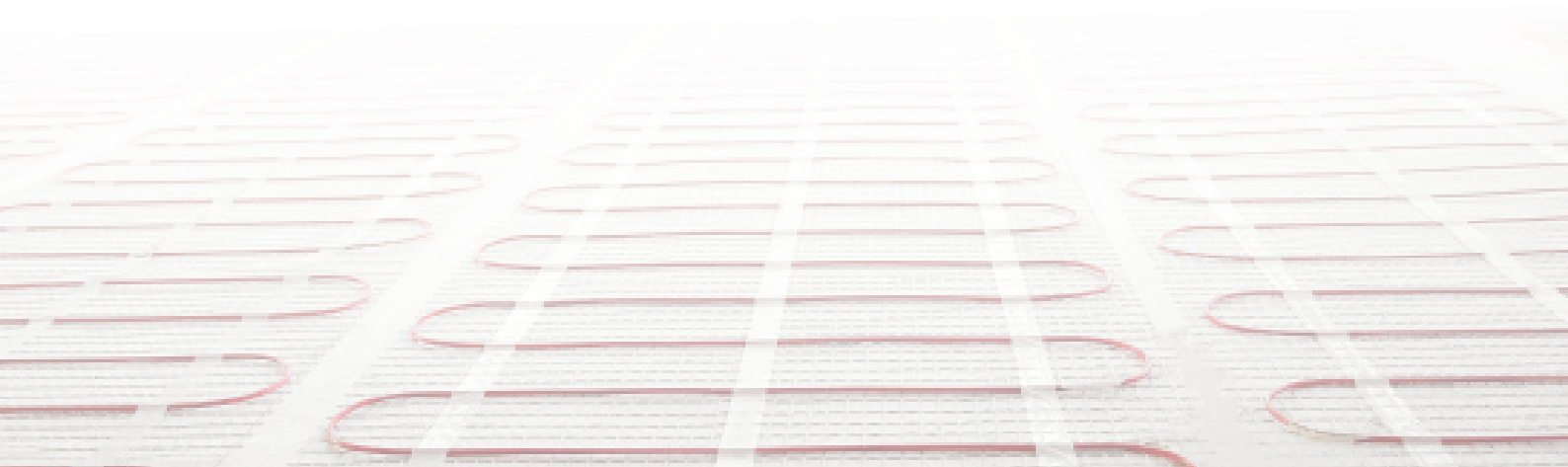
\* All warranties are valid from the date of purchase.

## 2 Warranty Process

The installation of our products must be performed by an authorized installer. In order to apply for the warranty, you need to have a valid Warranty certificate.

To have a valid **Product warranty or Full-service warranty**, you need to follow these requirements:

1. Product must be installed by authorized installer according to the specific installation guide related to corresponded product.
2. Insulation and conductors' resistance of heating elements must be checked before and during the installation and noted in Warranty certificate.
3. The product Warranty certificate must be filled in, stamped and signed by the authorized installer performing the installation.
4. After the installation is performed, store and keep the warranty certificate during the whole warranty period.



E.g. Sample of Warranty Certificate is placed inside each box.

**A 20-year product warranty is valid for:**

- heating cables: DEVIbasic™, DEVIcomfort™, DEVIflex™, DEVISnow™, DEVIasphalt™;
- heating mats: DEVIheat™, DEVIcomfort™, DEVI mat™, DTCE, DEVISnow™, DEVIasphalt™.

Should you, against all expectations, experience a problem with your DEVI product, you will find that DEVI offers DEVIwarranty valid from the date of purchase that was no later than 2 years from production date on the following conditions: During the warranty period DEVI shall offer a new comparable product or repair the product if the product is found to be faulty by reason of defective design, materials or workmanship. The decision to either repair or replace will be solely at the discretion of DEVI.

In addition to repair or replacement of the defective product DEVI will also compensate installation costs and any damage to floor/surface materials (e.g. brickwork, tiles or roof surface) if the damage is caused by the defective product or is an unavoidable result of repairing the defective product. Except for such costs and damage, DEVI shall not be liable for any resulting losses or consequential or incidental damages including, but not limited to, damages to property or extra utility expenses. No extension of the warranty period following repairs undertaken is granted.

The warranty shall be valid only if the WARRANTY CERTIFICATE is completed correctly and in accordance with the instructions, the

fault is submitted to the installer or the seller without undue delay and proof of purchase is provided. Please note that the WARRANTY CERTIFICATE must be filled in, stamped and signed by the authorized installer performing the installation (Installation date must be indicated). After the installation is performed, store and keep the WARRANTY CERTIFICATE and purchase documents (invoice, receipt or similar) during the whole warranty period.

The DEVIwarranty shall not cover any damage caused by incorrect conditions of use, incorrect installation or if installation has been carried out by non-authorized electricians. All work will be invoiced in full if DEVI is required to inspect or repair faults that have arisen as a result of any of the above. The DEVIwarranty shall not extend to products which have not been paid in full. DEVI will, at all times, provide a rapid and effective response to all complaints and inquiries from our customers.

All claims exceeding the above conditions are explicitly excluded from the DEVIwarranty.

For full warranty text visit [www.devi.com](http://www.devi.com).  
[devi.danfoss.com/en/warranty/](http://devi.danfoss.com/en/warranty/)

## WARRANTY CERTIFICATE

**The DEVIwarranty is granted to:**

The insulation resistance shall be measured by means of a DC voltage of at least 500 V for one minute. The measured value shall be no less than 50 MΩ.

Address _____		Stamp _____
Purchase date _____	Product _____	Art. No. _____
Installation Date & Signature _____	Resistance [Ω] _____	Insulation [MΩ] _____
Connection Date & Signature _____	Resistance [Ω] _____	Insulation [MΩ] _____

**NB:** Availability of the Warranty certificate is mandatory requirement to apply for warranty services.

If you want to apply for Full-service warranty or Product warranty, please follow the next steps:

1. Find your product warranty certificate. (Customer).
2. Contact the authorized installer who performed the installation and ask him to start up the warranty claim with the used distributor. (Customer).
3. Distributor contacts local Danfoss organization (Distributor).  
**Heat Zone Distribution**  
**Address: 1/7 Ely Crt, Keilor East VIC 3033**  
**Email: [info@heatzone.com.au](mailto:info@heatzone.com.au)**  
**Phone: 1800 519 654**
4. Local Danfoss organization will appoint or approve a technical expert to check product and installation (depending on country, it could be: service center / DEVI sales representative). (Danfoss).
5. In warranty case, the appointed expert provides the conclusion report and all necessary documentation and images to DEVI sales representative. (Installer or DEVI representative).
6. DEVI representative provides report and all necessary images for evidences to Danfoss quality department. (DEVI representative).
7. Danfoss will evaluate the report (Danfoss).
  - a. if the report is approved by Danfoss, all liabilities will be covered.
  - b. the report is not approved by Danfoss, or inspection shows that product was damaged during the installation or by other reasons which are not described by the installation guide, all costs related to the warranty claim are covered by the customer.
8. In contradictive situations, the decision to either repair or replace will be solely at the discretion of Danfoss. All additional tests by Danfoss will be provided free of charge. (Danfoss).



# **HEAT ZONE**

**Distribution Pty Ltd**

**1800 519 654**

*Heat Zone Distribution Pty. Ltd.*  
ACN 630 681 177

1/7 Ely Crt,  
Keilor East VIC 3033

[info@heatzone.com.au](mailto:info@heatzone.com.au)  
[www.heatzone.com.au](http://www.heatzone.com.au)